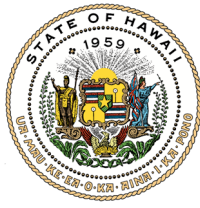


**JOSH GREEN, M.D.**  
GOVERNOR  
KE KIA'ĀINA



**MIKE LAMBERT**  
DIRECTOR

**SYLVIA LUKE**  
LT GOVERNOR  
KE KE'ENA

STATE OF HAWAII | KA MOKU'ĀINA O HAWAII  
**DEPARTMENT OF LAW ENFORCEMENT**  
*Ka 'Oihana Ho'okō Kānāwai*  
715 South King Street  
Honolulu, Hawai'i 96813

**JARED K. REDULLA**  
Deputy Director  
Law Enforcement

**TESTIMONY ON HOUSE BILL 279**  
**RELATING TO FIREARMS**  
Before the House Committee on  
**JUDICIARY & HAWAIIAN AFFAIRS**  
Thursday, February 6, 2025, 2:00 p.m.  
State Capitol Conference Room 325, & Videoconference  
Testifiers: Mike Lambert

Chair Tarnas, Vice Chair Poepoe, and members of the Committee:

The Department of Law Enforcement (DLE) strongly supports House Bill 279. This bill strengthens Hawaii's firearm laws by establishing clear regulations on the transportation and possession of firearm parts, implementing stricter controls to prevent the illegal assembly of firearms, particularly 'ghost guns,' and enhancing penalties for violations.

The DLE recognizes that the unrestricted movement of firearm parts presents a significant public safety concern, especially with the rising threat of untraceable ghost guns. This legislation addresses this critical gap by requiring firearm parts to be transported only between authorized locations and in enclosed containers, making it easier for law enforcement to identify and prevent illegal firearm assembly and trafficking.

The bill's provisions for defining prohibited persons and establishing enhanced penalties for violations will provide law enforcement with stronger tools to combat illegal firearm

possession and assembly. These measures align with our ongoing efforts to prevent gun violence and maintain public safety in Hawaii.

The proposed regulations will significantly aid law enforcement in preventing the illegal manufacture and possession of firearms while ensuring legitimate firearm owners can comply with reasonable safety requirements.

Thank you for the opportunity to testify in support of this bill.

**HB-279**

Submitted on: 2/3/2025 8:02:17 PM

Testimony for JHA on 2/6/2025 2:00:00 PM

Submitted By	Organization	Testifier Position	Testify
Kainoa Kaku	Hawaii Rifle Association	Oppose	Written Testimony Only

Comments:

I am submitting this testimony on behalf of myself and the thousands of members of the Hawaii Rifle Association to **strongly oppose** House Bill 279. While reducing violent crime is a priority we all share, this bill **overreaches in its attempt to criminalize lawful gun ownership, conflicts with constitutional rights, and creates legal ambiguities that can lead to unjust prosecutions.**

---

## 1. Overly Broad and Unconstitutional Provisions

### A. Criminalization of Lawful Firearm Ownership

- H.B. 279 **criminalizes the mere possession of firearm parts**, even when those parts are legally owned and not assembled into a functional firearm.
- This violates **fundamental due process rights** by **punishing intent rather than action**. A law-abiding gun owner carrying parts for repairs, transport, or customization could be unfairly prosecuted **despite not violating any actual firearm regulations**.

### B. Second Amendment Concerns

- Under *New York State Rifle & Pistol Association v. Bruen* (2022), firearm regulations must **align with historical traditions**. There is **no historical precedent** for criminalizing the mere possession of gun parts or components.
- **Firearms in “common use” are protected under the Second Amendment** (*District of Columbia v. Heller, McDonald v. Chicago*). This bill **effectively bans lawful firearm ownership by criminalizing the very components necessary for their function**.
- By imposing **unnecessary and excessive restrictions**, H.B. 279 could **fail constitutional scrutiny in court**.

---

## 2. Ambiguous and Unenforceable Definitions

- The bill **fails to clearly define what constitutes an “unsecured” firearm part** and does not specify **which parts** would trigger legal consequences.

- Many firearm components (e.g., barrels, triggers, grips) **are not inherently dangerous** and have legitimate uses, such as sporting, hunting, and repair.
  - The **vagueness** of this bill opens the door for **subjective enforcement**, increasing the risk that **lawful gun owners could be unfairly targeted**.
- 

### 3. Ignores Root Causes of Crime and Public Safety Issues

- **Criminals already ignore firearm laws.**
    - This bill **will not stop violent offenders from acquiring firearms through illegal means**, just as existing gun laws **do not deter criminals from obtaining illegal guns**.
    - Law-abiding citizens, not criminals, will **bear the brunt of enforcement under this bill**.
  - **Focus Should Be on Enforcing Existing Laws**
    - Hawaii already has **strict gun laws**, including background checks, registration, and permits-to-purchase requirements.
    - Rather than adding **new vague and overreaching regulations**, the state should **ensure proper enforcement of existing laws against those who illegally possess firearms**.
  - **Youth Crime Requires Social Solutions, Not More Laws**
    - The bill cites **youth involvement in gun crime** as justification for banning firearm parts, but **youth offenders typically obtain firearms illegally**.
    - The state should **invest in programs that address gang violence, social instability, and family intervention**—not broad laws that **restrict law-abiding citizens' rights**.
- 

### 4. Unintended Consequences for Law-Abiding Gun Owners

- **Gun Owners Transporting or Repairing Firearms May Be Wrongfully Criminalized**
    - H.B. 279 **does not exempt gunsmiths, hobbyists, or competitive shooters** who frequently **transport firearm parts for legitimate reasons**.
    - Lawful individuals who **disassemble firearms for cleaning, repair, or safe transport could be subject to arrest**, even if their intent is legal and responsible.
  - **Potential for Abuse in Enforcement**
    - The **broad and vague nature** of this bill **invites selective prosecution**, disproportionately impacting responsible gun owners rather than actual criminals.
    - It risks creating a **legal trap for ordinary citizens** who inadvertently violate unclear provisions.
- 

### 5. Alternative Approaches That Address the Real Problem

Rather than imposing **unconstitutional and excessive restrictions** on lawful gun owners, Hawaii should **focus on crime prevention strategies that actually work**:

✓ **Target Criminal Possession, Not Parts** – Strengthen enforcement against **straw purchasers and illegal gun traffickers** who supply firearms to criminals.

✓ **Expand Community-Based Intervention Programs** – Invest in **youth diversion programs and mental health initiatives** to address **root causes of gun violence**.

✓ **Improve Law Enforcement Resources** – Ensure police have **adequate tools and funding** to investigate **illicit gun sales and gang activity**, rather than diverting resources to **harassing lawful owners over firearm parts**.

---

## **Conclusion**

H.B. 279 is an **unnecessary and unconstitutional overreach** that **criminalizes lawful gun owners while failing to address the root causes of violent crime**. The bill **conflicts with Second Amendment rights, relies on vague and overbroad definitions, and introduces legal uncertainties that could result in unjust prosecutions**.

For these reasons, I **strongly urge the Legislature to reject H.B. 279** and instead pursue policies that effectively target **criminal behavior without infringing on the rights of law-abiding citizens**.

**Respectfully submitted,**

Kainoa Kaku

President, Hawaii Rifle Association

2/3/2025

**HB-279**

Submitted on: 2/4/2025 7:40:26 AM

Testimony for JHA on 2/6/2025 2:00:00 PM

<b>Submitted By</b>	<b>Organization</b>	<b>Testifier Position</b>	<b>Testify</b>
Alika Valdez	The Democratic Party of Hawai'i	Support	Written Testimony Only

Comments:

I support this bill.



# MOTION PICTURE ASSOCIATION

Hawaii House Bill 279

Support If Amended

The Motion Picture Association (MPA) respectfully requests that House Bill 279, to regulate firearms parts, be amended to ensure that any new subsection created by this bill falls within the existing exemption of Hawaii Revised Statutes §134-11(c) for the use of prop firearms in the production of motion pictures. MPA's members are the leading producers and distributors of filmed entertainment across all platforms, including motion picture theaters, cable, satellite, broadcast and internet exhibition. MPA's members include: Amazon Prime/MGM Studios, The Walt Disney Studio Motion Pictures, Netflix Studios, Paramount Pictures, Sony Pictures Entertainment, Universal City Studios and Warner Bros.

In the production of motion pictures, and television and streaming programs, prop firearms are utilized to lend authenticity to the story. And, Hawaii law recognizes the that prop firearms and blank ammunition can be an important element of a production, by affording an exemption from most restrictions on the use of guns, as long as they are prop firearms. Section 134-11(c) states:

*Sections 134-8, 134-9, and 134-21 to 134-27, shall not apply to the possession, transportation, or use, with blank cartridges, of any firearm or explosive solely as props for motion picture film or television program production when authorized by the chief of police of the appropriate county pursuant to section 134-2.5 and not in violation of federal law.*

To the extent that HB 279 creates a new subsection of §134 of the Hawaii Revised Code, we respectfully request that the new subsection be included in exemption provided in §134-11(c).

Thank you for your consideration.

**HB-279**

Submitted on: 2/5/2025 6:43:04 AM

Testimony for JHA on 2/6/2025 2:00:00 PM

<b>Submitted By</b>	<b>Organization</b>	<b>Testifier Position</b>	<b>Testify</b>
Jerry Yuen	Pu'uloa Rifle and Pistol Club	Oppose	Remotely Via Zoom

Comments:

I oppose HB 279 due to its being unconstitutional, ambiguous language and near impossibility to enforce. The right to carry arms has already been established by the Bruen Decision. Lawfully armed citizens will challenge this bill and win in court causing the loss of many taxpayer dollars and wasting the police and courts' time. This bill focuses on inanimate objects rather than the criminal.



**HB-279**

Submitted on: 2/5/2025 12:55:38 PM

Testimony for JHA on 2/6/2025 2:00:00 PM

<b>Submitted By</b>	<b>Organization</b>	<b>Testifier Position</b>	<b>Testify</b>
jessica dias	Free Citizens of Maunaloa	Oppose	Written Testimony Only

Comments:

I am **OPPOSED** to this bill. The Second Amendment shall not be infringed.

**HB-279**

Submitted on: 2/5/2025 1:59:52 PM

Testimony for JHA on 2/6/2025 2:00:00 PM

<b>Submitted By</b>	<b>Organization</b>	<b>Testifier Position</b>	<b>Testify</b>
J. Alexander	Self Defense Solutions Hawaii	Oppose	Written Testimony Only

Comments:

We firmly oppose any more unnecessary firearms laws in Hawaii. Enough is enough. The people have a right to defend themselves!

**HB-279**

Submitted on: 2/3/2025 1:28:38 PM

Testimony for JHA on 2/6/2025 2:00:00 PM

<b>Submitted By</b>	<b>Organization</b>	<b>Testifier Position</b>	<b>Testify</b>
Michael I Rice	Individual	Oppose	Remotely Via Zoom

Comments:

I stand in **STRONG OPPOSITION** to this bill. It is downright moronic to think that the police cannot enforce current laws that prevent criminals from carrying guns just because the bad guy takes his gun apart before the cops get there. Simply taking a gun apart does not make it suddenly legal to carry around.

Federal Law already considers the receiver (the frame that contains most if not all of the parts of a firearm) of a gun to be the legal firearm. As long as the receiver is intact it is considered a firearm regardless of whether it can be fired or not. There are even laws regarding what must be done for a receiver to be considered 'inoperable', even if you were to just cut a receiver in half it would still be legally considered a functional firearm. This means if I were to take my gun completely apart and walk around with just the receiver (without a valid CCW permit) I would be breaking the law already.

If a convicted felon is walking around with gun parts, it's a reasonable suspicion to think that they are in illegal possession of a firearm and a proper investigation can be done. If prosecutors or police think they cannot charge violators under current laws, then they need either be retrained or terminated from their duties since they cannot carry them out in a competent manner. Not having laws passed that makes it even easier for them to do their jobs when it should already be cut and dry.

At this point it is hard to tell the difference between incompetence and malice when it comes to enforcing the laws of this state.

**HB-279**

Submitted on: 2/3/2025 1:53:50 PM

Testimony for JHA on 2/6/2025 2:00:00 PM

<b>Submitted By</b>	<b>Organization</b>	<b>Testifier Position</b>	<b>Testify</b>
Nancy D Moser	Individual	Support	Written Testimony Only

Comments:

In Support of HB 279

Aloha Chair and Members of the Committee.

This measure moves in the right direction toward greater safety in our communities from death and injury from guns.

Please pass this measure.

Sincerely,

Nancy Moser

in Waikoloa 96738

**HB-279**

Submitted on: 2/3/2025 1:55:31 PM

Testimony for JHA on 2/6/2025 2:00:00 PM

<b>Submitted By</b>	<b>Organization</b>	<b>Testifier Position</b>	<b>Testify</b>
cheryl burghardt	Individual	Support	Written Testimony Only

Comments:

Aloha,

I SUPPORT HB 279 which allows the carrying or possessing of firearm parts only at or between certain locations and in an enclosed container. Defines firearm parts and prohibited persons. Establishes and increases penalties for the carrying or possessing of certain firearms or firearm parts other than at or between specific locations and in an enclosed container.

It is important for us to protect our community and especially our keiki who are often victims of firearm violations. My question to the committee would be under which jurisdiction does this fall, for example interisland.

Mahalo

C. Burghardt

Kou, Oahu

**HB-279**

Submitted on: 2/3/2025 2:32:05 PM

Testimony for JHA on 2/6/2025 2:00:00 PM

<b>Submitted By</b>	<b>Organization</b>	<b>Testifier Position</b>	<b>Testify</b>
Duke malczon	Individual	Oppose	Written Testimony Only

Comments:

Strongly oppose. Stop infringing on the people's second ammendment right

**HB-279**

Submitted on: 2/3/2025 2:32:20 PM

Testimony for JHA on 2/6/2025 2:00:00 PM

<b>Submitted By</b>	<b>Organization</b>	<b>Testifier Position</b>	<b>Testify</b>
Marcus Tanaka	Individual	Oppose	Written Testimony Only

Comments: I oppose. The person who's using a firearm illegally, already broke many laws. One more isn't going to make them stop and think to not commit firearm crimes. The summary of the bill even admits all the laws broken. The only purpose of this law is to have someone who has no felonies (aka a law abiding citizen) and make them into a criminal. Here are all the laws already broken, so there is no "loop hole" as mentioned in the bills summary: 1) Prohibited person in possession of a firearm 2) Places to keep law 3) No concealed carry permit 4) X crime committed with said gun 5) Firearms with no serial number are already illegal 6) No registration 7) Under 21 in possession of a handgun But yes, besides the 7 already broken laws, 1 more will prevent all the above from being broken.

**HB-279**

Submitted on: 2/3/2025 4:00:27 PM

Testimony for JHA on 2/6/2025 2:00:00 PM

<b>Submitted By</b>	<b>Organization</b>	<b>Testifier Position</b>	<b>Testify</b>
David Lau	Individual	Oppose	Written Testimony Only

Comments:

HB279 is unconstitutional. Stongly oppose!



**HB-279**

Submitted on: 2/3/2025 4:08:05 PM

Testimony for JHA on 2/6/2025 2:00:00 PM

<b>Submitted By</b>	<b>Organization</b>	<b>Testifier Position</b>	<b>Testify</b>
Bronson Teixeira	Individual	Oppose	Written Testimony Only

Comments:

Aloha Representatives of the committee,

I am writing to express my strong opposition to any and all anti-gun bills or legislation. Such measures do not effectively address the root causes of crime and public safety concerns. Instead, they disproportionately affect law-abiding citizens by limiting their ability to protect themselves and their families as well as the safety of keeping a firearm in a safe and working order. As we all know, criminals do not follow the law, and further restrictions on responsible gun ownership fail to deter crime.

The real issues that need to be addressed are:

1. **Soft-on-Crime Policies:** These policies allow repeat offenders back into society, perpetuating crime rates. Research shows that a significant portion of crime is committed by repeat offenders.
2. **Mental Health and Suicide:** Mental health remains a critical issue that needs immediate attention. Suicide rates linked to untreated mental health challenges are a growing concern and require comprehensive solutions.
3. **Drug Epidemic:** The drug crisis, particularly involving fentanyl, has devastating effects on our communities. My own family has been affected by this tragedy, as my cousin lost his life to a fentanyl overdose in a rehab facility on O‘ahu two years ago.
4. **High Cost of Living:** The economic pressures on families, where parents often work multiple jobs, leave little time for guiding and instilling values in their children. This socioeconomic strain exacerbates many underlying societal issues.

The Second Amendment was enshrined in the Constitution to guarantee the right to keep and bear arms for the protection of life, liberty, and freedom. It also serves as a safeguard against government overreach and tyranny. The language, “shall not be infringed,” is both clear and intentional. Efforts to restrict this fundamental right undermine the very principles on which this nation was founded.

I urge you to join me in opposing anti-gun bills and instead advocate for policies that address the true underlying causes of crime and violence.

Thank you for your time and consideration.

Mahalo,

Bronson Teixeira

Maui, Hawai'i

**HB-279**

Submitted on: 2/3/2025 4:15:05 PM

Testimony for JHA on 2/6/2025 2:00:00 PM

<b>Submitted By</b>	<b>Organization</b>	<b>Testifier Position</b>	<b>Testify</b>
Wayne Asam	Individual	Oppose	Written Testimony Only

Comments:

I am writing to express my strong opposition to HB279, which imposes severe restrictions on the carrying and possession of firearm parts, limiting them to specific locations and requiring enclosed containers. This bill represents an excessive overreach that infringes upon the rights of law-abiding citizens and unduly burdens responsible gun owners, hobbyists, and firearms industry professionals.

HB279's requirement that firearm parts only be transported between designated locations and in enclosed containers creates unnecessary legal traps for responsible gun owners. Many law-abiding citizens engage in firearm maintenance, modification, and repair as part of their Second Amendment rights, and imposing arbitrary transportation restrictions unfairly criminalizes normal and legal activities.

Furthermore, the bill's broad definition of "firearm parts" could lead to confusion and unintended consequences, potentially ensnaring individuals who possess common and legally owned components. The establishment and increase of penalties for violations will disproportionately affect responsible gun owners while doing little to deter actual criminal activity.

Rather than imposing draconian restrictions on lawful firearm owners, efforts should be focused on addressing the root causes of violent crime and enforcing existing laws against those who misuse firearms. HB279 unfairly targets responsible individuals while failing to address the real issues contributing to gun-related violence.

For these reasons, I strongly oppose HB279 and advocate for policies that uphold constitutional rights while promoting safety through education and enforcement of current laws. Thank you for your time and consideration of my concerns.

**HB-279**

Submitted on: 2/3/2025 4:17:15 PM

Testimony for JHA on 2/6/2025 2:00:00 PM

<b>Submitted By</b>	<b>Organization</b>	<b>Testifier Position</b>	<b>Testify</b>
Jonathan Fong	Individual	Oppose	Written Testimony Only

Comments:

I strongly oppose this bill. Firearms themselves already are regulated on how they may be transported. Trying to restrict how people carry "firearms parts" is overreach and unconstitutional. Parts of a firearm are not dangerous by themselves. If something this senseless were to pass, it would be a waste of money just in litigation defense with the lawsuits that would surely follow.

**HB-279**

Submitted on: 2/3/2025 4:42:46 PM

Testimony for JHA on 2/6/2025 2:00:00 PM

<b>Submitted By</b>	<b>Organization</b>	<b>Testifier Position</b>	<b>Testify</b>
Kenny Wusstig	Individual	Oppose	Written Testimony Only

Comments:

Like HB125 this is another outrageous bill that has little to no meaning in regards to firearm safety/storage. Why enforce a bill like this one that has no meaning or proper reasoning to it ?

**HB-279**

Submitted on: 2/3/2025 4:47:20 PM

Testimony for JHA on 2/6/2025 2:00:00 PM

<b>Submitted By</b>	<b>Organization</b>	<b>Testifier Position</b>	<b>Testify</b>
Kyle	Individual	Oppose	Written Testimony Only

Comments:

I oppose this bill

**HB-279**

Submitted on: 2/3/2025 4:49:46 PM

Testimony for JHA on 2/6/2025 2:00:00 PM

<b>Submitted By</b>	<b>Organization</b>	<b>Testifier Position</b>	<b>Testify</b>
Robin D. Ganitano	Individual	Oppose	Written Testimony Only

Comments:

I oppose HB279 because it is unconstitutional and against our 2nd Amendment rights.

**HB-279**

Submitted on: 2/3/2025 4:51:50 PM

Testimony for JHA on 2/6/2025 2:00:00 PM

<b>Submitted By</b>	<b>Organization</b>	<b>Testifier Position</b>	<b>Testify</b>
Steven T Takekoshi	Individual	Oppose	Written Testimony Only

Comments:

I strongly oppose this bill. Parts do NOT create an operational firearm, I understand that operational firearms are currently regulated. All examples given in the text of the bill discuss persons who are not eligible to possess a firearm (felons and minors), who therefore are knowingly committing criminal activities that are already regulated. Causing the possessing firearm parts to be a crime unduely burdens law abiding citrizens. This legislation either by design or oversight falsely makes a part of a firearm equivalent to operational firearm. The logic used to get here applied to any other situation is ludicris and causes a reasonable person to ask, "Where does this stop?"

Statistically this appears to be a <1% problem, while we face costof living, education, employment opportunities, healthcare shortages, crumbling infrastructure, and so many other issues that affect all citizens. I believe that improving the lives of Hawaii's citizens and visitors should be the primary function of government. When you have solved these pressing issues then I think the debate over "pet issues" can be had. Until then, I respectfully ask you please focus your time on the real issues that plague the State. This is not it solving issues this is putting a band aid on a symptom of the failures of this body to effectively set conditions for economic and social harmony. If you were to pass legislation that created economic opportunity I suspect many of the individuals you are directing this against would be busy, like all of us law abiding people engaged in productive work or leisure from that work, not criminal activities.

Passing Constitutionally weak legislation like this invites legal challenges, which cost Hawaii taxpayers and take away from other priorities we desparately need here at home in order to pursue special interest causes not the general welfare of the citizens of the State of Hawaii.

Thank you.

Steven Takekoshi



**HB-279**

Submitted on: 2/3/2025 5:01:41 PM

Testimony for JHA on 2/6/2025 2:00:00 PM

<b>Submitted By</b>	<b>Organization</b>	<b>Testifier Position</b>	<b>Testify</b>
Eric Apaka	Individual	Oppose	Written Testimony Only

Comments:

Why is it that you lawmakers are wasting time on things that are just useless bills? Buying parts for guns doesn't do harm to anyone or anything regardless if they go straight home or not. These laws go after the law abiding citizen. What lawmakers should be doing is going after the criminals and those who don't care about laws already on the books. More laws don't stop these unlawful people.

**HB-279**

Submitted on: 2/3/2025 5:19:58 PM

Testimony for JHA on 2/6/2025 2:00:00 PM

<b>Submitted By</b>	<b>Organization</b>	<b>Testifier Position</b>	<b>Testify</b>
Albertbraceros	Individual	Oppose	Written Testimony Only

Comments:

It's a violation of our constitutional rights

**HB-279**

Submitted on: 2/3/2025 5:51:20 PM

Testimony for JHA on 2/6/2025 2:00:00 PM

<b>Submitted By</b>	<b>Organization</b>	<b>Testifier Position</b>	<b>Testify</b>
Joel Berg	Individual	Oppose	Written Testimony Only

Comments:

This bill outlaws repairing firearms and would create a black market for replacement parts. For those interested in tracking firearms to owners the serialized receiver without which a firearm is inoperable is more than sufficient.

**HB-279**

Submitted on: 2/3/2025 6:01:23 PM

Testimony for JHA on 2/6/2025 2:00:00 PM

<b>Submitted By</b>	<b>Organization</b>	<b>Testifier Position</b>	<b>Testify</b>
Cliff mello	Individual	Oppose	Written Testimony Only

Comments:

Dear Chair and Members of the Committee,

I strongly oppose HB279, as it places unconstitutional restrictions on the possession and transport of firearm parts, directly infringing on the Second Amendment rights of law-abiding citizens.

Under this bill, firearm owners would be unfairly criminalized simply for possessing firearm parts unless they are in designated locations and enclosed containers. This measure does not stop criminals—it only creates new crimes for legal gun owners who follow the law.

The Supreme Court has made clear that the Second Amendment protects arms that are in common use (*Heller*, 2008). Firearm parts are essential components of legally owned firearms and are widely used by millions of responsible gun owners. By imposing arbitrary transportation restrictions and penalties, this bill unjustly punishes law-abiding citizens while doing nothing to deter criminals who already disregard firearm laws.

Furthermore, the language in this bill is vague and opens the door for unconstitutional enforcement against responsible citizens engaged in lawful firearm maintenance, repair, or transportation.

Instead of targeting legal gun owners, the legislature should focus on holding violent criminals accountable and enforcing existing gun laws against those who commit crimes.

I urge you to reject HB279 and uphold the constitutional rights of Hawaii's citizens.

**HB-279**

Submitted on: 2/3/2025 6:08:08 PM

Testimony for JHA on 2/6/2025 2:00:00 PM

<b>Submitted By</b>	<b>Organization</b>	<b>Testifier Position</b>	<b>Testify</b>
Michael Casey	Individual	Oppose	Written Testimony Only

Comments:

I oppose this unconstitutional bill.

**HB-279**

Submitted on: 2/3/2025 6:36:46 PM

Testimony for JHA on 2/6/2025 2:00:00 PM

<b>Submitted By</b>	<b>Organization</b>	<b>Testifier Position</b>	<b>Testify</b>
Logan M	Individual	Oppose	Written Testimony Only

Comments:

Carrying parts does not pose a threat. Over reach of power

**HB-279**

Submitted on: 2/3/2025 6:37:03 PM

Testimony for JHA on 2/6/2025 2:00:00 PM

<b>Submitted By</b>	<b>Organization</b>	<b>Testifier Position</b>	<b>Testify</b>
Stephen	Individual	Oppose	Written Testimony Only

Comments:

Please stop trying to turn law abiding citizens into criminals , we are not the bad guys, this law will make no sense firearm parts are not firearms and do not need to be controlled,

**HB-279**

Submitted on: 2/3/2025 6:38:38 PM

Testimony for JHA on 2/6/2025 2:00:00 PM

<b>Submitted By</b>	<b>Organization</b>	<b>Testifier Position</b>	<b>Testify</b>
Ramiro Noguerol	Individual	Oppose	Written Testimony Only

Comments:

Oppose.



**HB-279**

Submitted on: 2/3/2025 6:41:29 PM

Testimony for JHA on 2/6/2025 2:00:00 PM

<b>Submitted By</b>	<b>Organization</b>	<b>Testifier Position</b>	<b>Testify</b>
GENER MACARAEG	Individual	Oppose	Written Testimony Only

Comments:

I oppose this bill.

HB279 Infringes on my 2nd Ammendment Rights and my right to self-defense. It unfairly penalizes law-abiding citizens. This shifts the focus from criminal behavior to punishing lawful citizens. This bill does little to address the root causes of gun violence, focusing instead on over-regulating responsible gun owners rather than targeting criminal misuse of firearms.

**HB-279**

Submitted on: 2/3/2025 7:00:49 PM

Testimony for JHA on 2/6/2025 2:00:00 PM

<b>Submitted By</b>	<b>Organization</b>	<b>Testifier Position</b>	<b>Testify</b>
Alice Abellanida	Individual	Oppose	Written Testimony Only

Comments:

I strongly oppose this bill. This bill is just more unconstitutional infringements on our rights. Kill this bill.

**HB-279**

Submitted on: 2/3/2025 7:27:13 PM

Testimony for JHA on 2/6/2025 2:00:00 PM

<b>Submitted By</b>	<b>Organization</b>	<b>Testifier Position</b>	<b>Testify</b>
MARK HAHN	Individual	Oppose	Written Testimony Only

Comments:

How is banning the transportation of Firearm parts even legal. There are parts of Firearms that have for years been determined by the BATF to be the registered part of a Firearm. The rest are just various parts. Don't open the state to lawsuits for ridiculous gun activist agendas by attempting to ban the transportation of legal, non registered requirement, gun parts.

Sincerely,

Mark Hahn

**HB-279**

Submitted on: 2/3/2025 7:35:32 PM

Testimony for JHA on 2/6/2025 2:00:00 PM

<b>Submitted By</b>	<b>Organization</b>	<b>Testifier Position</b>	<b>Testify</b>
Jeffrey Duquez	Individual	Oppose	Written Testimony Only

Comments:

Strongly oppose this bill. Why punish law abiding citizens who already go through existing hoops to acquire firearms for sport or in defense of themselves and their homes because of criminals breaking the laws. It makes no sense, punishing your law abiding citizen for the acts of criminals? A criminal won't follow this bill anyways so why is my tax dollars going towards a bill that won't solve the problem of illegal guns? Law abiding citizens follow the laws, stop suggesting bills that punish law abiding citizens because of the actions of criminals that break laws.

**HB-279**

Submitted on: 2/3/2025 7:38:45 PM

Testimony for JHA on 2/6/2025 2:00:00 PM

<b>Submitted By</b>	<b>Organization</b>	<b>Testifier Position</b>	<b>Testify</b>
Sharee Orr	Individual	Oppose	Written Testimony Only

Comments:

Any bill that defies federal and/or state constitution is wasting taxpayer money since it will go to court. This is one of those bills. Auwe.

**HB-279**

Submitted on: 2/3/2025 7:38:51 PM

Testimony for JHA on 2/6/2025 2:00:00 PM

<b>Submitted By</b>	<b>Organization</b>	<b>Testifier Position</b>	<b>Testify</b>
Nalu	Individual	Oppose	Written Testimony Only

Comments:

I oppose this bill.

**HB-279**

Submitted on: 2/3/2025 7:58:24 PM

Testimony for JHA on 2/6/2025 2:00:00 PM

<b>Submitted By</b>	<b>Organization</b>	<b>Testifier Position</b>	<b>Testify</b>
Mark Pillori	Individual	Oppose	Written Testimony Only

Comments:

I ama against restricting my ability to obtain firearm parts to upgrade or repair my firearms.

**HB-279**

Submitted on: 2/3/2025 8:00:09 PM

Testimony for JHA on 2/6/2025 2:00:00 PM

<b>Submitted By</b>	<b>Organization</b>	<b>Testifier Position</b>	<b>Testify</b>
Terry Donaghy	Individual	Oppose	Written Testimony Only

Comments:

To Whom it may concern,

As an individual citizen I am opposed to this measure. It appears to be restating laws that are already in place. The only thing it seems to add is to increase penalties. As someone who enjoys the sport of shooting at the range, I am already aware of the responsibilities of owning a firearm. This measure seems to be trying to further punish the rights of the U.S. Citizens, afforded to us by the 2nd amendment. Please oppose the measure!



**HB-279**

Submitted on: 2/3/2025 8:02:49 PM

Testimony for JHA on 2/6/2025 2:00:00 PM

Submitted By	Organization	Testifier Position	Testify
Robert A Okuda	Individual	Oppose	Written Testimony Only

Comments:

**Testimony Opposing HB 279**

Aloha Chair and Committee Members,

I am writing in strong opposition to HB 279, which would impose unreasonable restrictions on the transportation of firearm parts. While I understand the intent behind the bill, it unfairly penalizes law-abiding citizens without addressing actual public safety concerns.

First, this bill would criminalize everyday activities. If I buy a new barrel or slide and stop for gas or to pick up my child before heading home, I could unknowingly break the law. This is an overreach that turns responsible gun owners into criminals for routine errands.

Second, the vague wording of “certain locations” makes enforcement unclear and inconsistent. Law-abiding citizens should not have to worry about whether their drive home might lead to legal trouble.

Additionally, this bill could hurt local businesses that sell firearm parts by discouraging sales and pushing customers toward online retailers. This would negatively impact Hawaii’s economy without any proven safety benefits.

Moreover, restricting how and where we transport legal gun parts infringes on our Second Amendment rights. Firearm maintenance is a normal part of responsible gun ownership, and this bill imposes unnecessary burdens.

Finally, there is no evidence that HB 279 will enhance public safety. Criminals do not abide by transportation laws, and placing restrictions on responsible citizens does nothing to deter crime.

I urge you to reject HB 279 and focus on measures that target actual criminal behavior rather than burdening responsible gun owners.

Mahalo for your time and consideration.

**Robert Okuda**

**HB-279**

Submitted on: 2/3/2025 8:02:51 PM

Testimony for JHA on 2/6/2025 2:00:00 PM

<b>Submitted By</b>	<b>Organization</b>	<b>Testifier Position</b>	<b>Testify</b>
Deven English	Individual	Oppose	Written Testimony Only

Comments:

I am in strong opposition of this bill

**HB-279**

Submitted on: 2/3/2025 8:05:28 PM

Testimony for JHA on 2/6/2025 2:00:00 PM

<b>Submitted By</b>	<b>Organization</b>	<b>Testifier Position</b>	<b>Testify</b>
Debbie Wyand	Individual	Oppose	Written Testimony Only

Comments:

Do not pass a bill with MORE regulations for lawful gun owners. You should focus on funding law enforcement to go after criminals who obtain guns illegally. The Supreme Court has ruled. Gun Ownership is a constitutional right. No more complicated rules. Vote NO

**HB-279**

Submitted on: 2/3/2025 8:09:34 PM

Testimony for JHA on 2/6/2025 2:00:00 PM

<b>Submitted By</b>	<b>Organization</b>	<b>Testifier Position</b>	<b>Testify</b>
Samuel Iler	Individual	Oppose	Written Testimony Only

Comments:

I oppose HB279 due to its restrictive stipulations which could result in unnecessary criminal offenses burdened upon lawful gun owners. The 2nd Amendment to US Constitution grants citizens the right to keep and bear arms ...which shall not be infringed... To freely bear arms and firearm parts is inherent to the language of our Constitution; HB279 seeks to infringe upon and mitigate this basic right by creating sub restrictions on areas and firearm parts transportation which is not in keeping with the 2nd Amendment guarantee to "keep and bear" arms. To run the risk of criminal prosecution for sub-restrictions to the general possession and ownership of firearms is not the intent of the 2nd Amendment guarantee to US Citizens.

**HB-279**

Submitted on: 2/3/2025 8:10:21 PM

Testimony for JHA on 2/6/2025 2:00:00 PM

Submitted By	Organization	Testifier Position	Testify
Travis Baguso	Individual	Oppose	Written Testimony Only

Comments:

Dear Members of the Committee,

I am writing to express my strong opposition to House Bill 279, which seeks to establish increased penalties for carrying or possessing certain firearms or firearm parts outside of narrowly defined locations. While I understand the intent to enhance public safety, this bill places undue burdens on responsible gun owners and infringes upon constitutionally protected rights.

**1. Unfair Penalization of Law-Abiding Citizens**

HB 279 disproportionately targets responsible firearm owners by restricting lawful possession and transport of firearms and their components. Those who comply with existing firearm laws should not be subjected to additional legal risks and penalties for simply exercising their Second Amendment rights.

**2. Potential Conflicts with Supreme Court Precedent**

The Supreme Court has repeatedly upheld the right to keep and bear arms for self-defense in cases such as *District of Columbia v. Heller* (2008) and *New York State Rifle & Pistol Association v. Bruen* (2022). This bill’s restrictions could be legally challenged for imposing unconstitutional limitations on firearm possession beyond reasonable public safety measures.

**3. Impact on Self-Defense and Personal Safety**

HB 279 could prevent law-abiding individuals from carrying or transporting firearms for lawful self-defense, particularly in situations where personal safety is at risk. The inability to lawfully transport a firearm in a manner consistent with responsible ownership leaves individuals vulnerable and unable to protect themselves and their families effectively.

**4. Ineffectiveness in Crime Prevention**

Criminals who engage in firearm-related violence are unlikely to be deterred by additional penalties. Instead, this bill punishes those who are already compliant with existing regulations, while those who engage in illegal firearm activity will continue to do so without regard for new restrictions. A more effective approach would focus on enforcing existing laws and increasing penalties for crimes involving firearms rather than restricting lawful possession and transportation.

## **5. Increased Legal Ambiguity and Enforcement Issues**

The language in HB 279 creates uncertainty regarding the transport of firearm parts, making it difficult for responsible gun owners to comply with the law without fear of inadvertently violating ambiguous provisions. Law enforcement will also face challenges in applying these new regulations fairly and consistently.

### **Conclusion**

Rather than imposing additional penalties and restrictions on law-abiding gun owners, the Legislature should focus on addressing the root causes of firearm-related crime, such as illegal trafficking and criminal misuse of firearms. HB 279 does not enhance public safety but instead places unnecessary legal burdens on responsible citizens.

For these reasons, I respectfully urge the Committee to oppose HB 279. Thank you for considering my testimony. I appreciate the opportunity to participate in this important discussion.

Sincerely,

Travis Baguso

**HB-279**

Submitted on: 2/3/2025 8:22:38 PM

Testimony for JHA on 2/6/2025 2:00:00 PM

Submitted By	Organization	Testifier Position	Testify
Andrew Namiki Roberts	Individual	Oppose	Remotely Via Zoom

Comments:

Honorable Chair David A. Tarnas, Vice Chair Mahina Poepoe, and Members of the Committee on Judiciary & Hawaiian Affairs:

**Re: Testimony in Strong Opposition to HB 279 Relating to Firearm Parts and Possession**

Dear Chair Tarnas, Vice Chair Poepoe, and Members of the Committee,

I am submitting this testimony in **strong opposition** to HB 279, which proposes sweeping changes to Hawaii’s firearm laws, specifically targeting the possession and transportation of firearm parts.

**Key Concerns with the Proposed Bill:**

- 1. Overreach and Criminalization of Law-Abiding Citizens:**  
The bill unfairly targets responsible, law-abiding gun owners by imposing strict regulations on the possession and transportation of firearm parts. Many individuals involved in lawful activities such as hunting, sport shooting, and firearm repair could unintentionally violate these complex rules, leading to harsh penalties for actions that pose no public safety threat.
- 2. Misrepresentation of Current Law:**  
The bill asserts that "state and county law enforcement are unable to bring charges against an individual in possession of a deconstructed firearm," labeling this as a loophole. This statement is **false**. Hawaii law **already covers firearm receivers and ghost guns** (firearms without serial numbers), making it **illegal to possess these items in public**. The real issue lies not in the law itself but in the **unwillingness of certain prosecutors to bring charges**, often under the mistaken belief that convictions are unattainable. This bill seeks to fix a problem that does not exist within the legal framework but rather within prosecutorial discretion.
- 3. Mandatory Minimum Sentences Are Excessive:**  
Mandatory sentencing removes judicial discretion, failing to account for individual circumstances. The proposed penalties, including mandatory prison time for technical violations, are disproportionate and could result in the incarceration of individuals with no criminal intent.
- 4. Vague Definitions and Ambiguities:**  
The bill’s language around "firearm parts" and "enclosed containers" is vague, leaving

too much room for subjective interpretation. This could lead to inconsistent enforcement and confusion among responsible gun owners trying to comply with the law.

5. **Ineffectiveness Against Criminals:**

Criminals who intend to commit violence will not be deterred by these laws. Instead, the bill places an undue burden on legal gun owners while doing little to address the root causes of gun violence. It is unrealistic to believe that individuals engaged in criminal activity will comply with regulations on firearm parts.

6. **Potential Constitutional Conflicts:**

The bill may infringe upon Second Amendment rights by severely restricting the lawful possession and transportation of firearm components. In *District of Columbia v. Heller* (2008), the U.S. Supreme Court affirmed that the right to keep and bear arms includes the ability to have firearms in operable condition for lawful purposes, such as self-defense.

### **Proposed Alternatives:**

- **Focus on Criminal Behavior:** Target individuals who use firearms to commit crimes rather than those engaged in lawful activities.
- **Education and Training:** Promote firearm safety and responsible ownership through education, not punitive legislation.
- **Judicial Discretion:** Allow courts to consider individual circumstances rather than imposing mandatory minimum sentences.

### **Conclusion:**

While I understand the intent to reduce gun violence, this bill overreaches, penalizes law-abiding citizens, and risks constitutional violations. Public safety can be improved through targeted enforcement against actual criminal behavior, community engagement, and firearm education programs, not through broad restrictions that burden responsible gun owners.

I respectfully urge the Committee to **reject this bill** in its current form.

Thank you for considering my testimony.

Respectfully submitted,  
Andrew Namiki Roberts



**HB-279**

Submitted on: 2/3/2025 8:25:39 PM

Testimony for JHA on 2/6/2025 2:00:00 PM

<b>Submitted By</b>	<b>Organization</b>	<b>Testifier Position</b>	<b>Testify</b>
Chad Cummings	Individual	Oppose	Written Testimony Only

Comments:

I oppose this bill.

This bill seems to be trying to make law abiding citizens criminals. Firearm parts? A firing pin, a bolt, and another small part can turn a person into a criminal? How about if a person is carrying around a so called ghost gun frame, wouldn't that mean that person is in possession of something that is already illegal? But a firing pin, n a bolt and one more small part that cannot fire a round nor complete a gun and can be purchased legally in Hawaii and everywhere else in the United States if found would turn a person into a criminal according to this bill?

Again seems like law abiding citizens loosing and criminals going free. If a ghost gun is illegal than why not go after the person in possession of it? And by definition if a firearm is the serialized part than wouldn't an unserialized frame be considered a "ghost gun"? Yet you won't arrest the person in possession of that part but let that person go? And then turn around and go after a person that has a few parts that are legal to own and can be purchased anywhere in America?

**HB-279**

Submitted on: 2/3/2025 8:32:44 PM

Testimony for JHA on 2/6/2025 2:00:00 PM

<b>Submitted By</b>	<b>Organization</b>	<b>Testifier Position</b>	<b>Testify</b>
Chase Cavitt	Individual	Oppose	Written Testimony Only

Comments:

Aloha,

I am submitting testimony today in opposition of HB279 and respectfully request you to oppose this bill and any amendments that may be proposed along with it. I am 100% in agreement that all people should live freely and safe without fear of harm from others. I actually do something about the issue regarding firearms and I would argue I do far more help than any bill this house has ever submitted or passed. I teach firearm safety. I practice safe firearm handling and have every single firearm this house and the Hawaii senate has attempted to ban year after year. The one thing I have never done is harmed another individual or made anyone less safe by owning these tools. This bill is actively making possession of parts, things that cannot be used to harm anyone without the use of a firearm, which is already 100% illegal. This bill will not prevent a single assault from occurring and I would argue that this bill is designed to disarm currently law abiding firearm owners in Hawaii and make it impossible for them to legally own firearms in the future. The firearm that is required for registration in Hawaii is the receiver. This part is integral for a firearm to be fired and a firearm cannot be used without one. The barrel, handguard, bolt carrier group, muzzle device, foregrip, stock and butt stock, sling, sight or optic, trigger, springs, bolts and screws cannot fire a firearm without a receiver properly attached. Why would making it illegal for me to posses these items while traveling make the community more safe? I cannot use a single one of the parts listed in this bill to cause anyone else or even myself harm without them unless this bill is passed. I could solely see harm coming to me if I forget to remove a single firearm part from my backpack while traveling in my vehicle after a hunting day or a day to the range. I do not think this bill was written in good faith with the goal of removing harmful material from situations where not necessary that could potentially cause harm. I would personally argue that the vehicle used to transport the parts listed in the bill is a far greater weapon than the parts being demonized in the bill. Technically any screw that could be used in a firearm that is in the possession of a person traveling would be then a viable part for use in a conviction. This is unnecessary and will not help a single Hawaii citizen and I'd argue it would harm many law abiding sensible people. Please consider what I have written today in my testimony and please vote NO on HB279.

mahalo,

Chase Cavitt

**HB-279**

Submitted on: 2/3/2025 8:36:46 PM

Testimony for JHA on 2/6/2025 2:00:00 PM

<b>Submitted By</b>	<b>Organization</b>	<b>Testifier Position</b>	<b>Testify</b>
Bryson	Individual	Oppose	Written Testimony Only

Comments:

To whom it may concern, I'm am in opposition of this bill as it hurts law abiding citizens and businesses. It also turns law abiding citizens in to criminals.

**HB-279**

Submitted on: 2/3/2025 8:38:36 PM

Testimony for JHA on 2/6/2025 2:00:00 PM

<b>Submitted By</b>	<b>Organization</b>	<b>Testifier Position</b>	<b>Testify</b>
Gian Vicuna	Individual	Oppose	Written Testimony Only

Comments:

I strongly oppose this bill. This is nothing but simple over reach. Firearm storage safety education is a requirement before purchasing firearms. As a parallel example, STDs are also very rampant that is why we have sex education as a means of addressing that. One of those ways is to encourage the use of protection when engaging in sexual activities. When the state comes in and starts forcing everybody to use condoms because some people have STDs is akin to requiring everybody to start requiring safes. I agree with safe storage and I have one myself but for the state to overstep and start doing this then they should also start knocking on everybody's bedrooms to make sure everyone is wearing condoms. If you think thats outrageous then you understand why its common sense for this bill to be outrageous and that is why i strongly oppose it.

**HB-279**

Submitted on: 2/3/2025 8:41:30 PM

Testimony for JHA on 2/6/2025 2:00:00 PM

<b>Submitted By</b>	<b>Organization</b>	<b>Testifier Position</b>	<b>Testify</b>
Peter Roa	Individual	Oppose	Written Testimony Only

Comments:

We the people oppose

**HB-279**

Submitted on: 2/3/2025 8:47:00 PM

Testimony for JHA on 2/6/2025 2:00:00 PM

<b>Submitted By</b>	<b>Organization</b>	<b>Testifier Position</b>	<b>Testify</b>
Kehaulani matsumoto	Individual	Oppose	Written Testimony Only

Comments:

I oppose this bill

**HB-279**

Submitted on: 2/3/2025 8:54:40 PM

Testimony for JHA on 2/6/2025 2:00:00 PM

<b>Submitted By</b>	<b>Organization</b>	<b>Testifier Position</b>	<b>Testify</b>
Nathan Soriano	Individual	Oppose	Written Testimony Only

Comments:

I'm a free citizen living in a free country. I have the right to say what I want go where I want and I should be allowed to carry anything as long as it's legal anywhere I want.

**HB-279**

Submitted on: 2/3/2025 8:57:54 PM

Testimony for JHA on 2/6/2025 2:00:00 PM

<b>Submitted By</b>	<b>Organization</b>	<b>Testifier Position</b>	<b>Testify</b>
elijah thierbach	Individual	Oppose	Written Testimony Only

Comments:

I oppose this bill



**HB-279**

Submitted on: 2/3/2025 9:00:07 PM

Testimony for JHA on 2/6/2025 2:00:00 PM

<b>Submitted By</b>	<b>Organization</b>	<b>Testifier Position</b>	<b>Testify</b>
Martin Dixon	Individual	Oppose	Written Testimony Only

Comments:

I oppose this bill.

**HB-279**

Submitted on: 2/3/2025 9:06:17 PM

Testimony for JHA on 2/6/2025 2:00:00 PM

<b>Submitted By</b>	<b>Organization</b>	<b>Testifier Position</b>	<b>Testify</b>
Alison T Wolford	Individual	Oppose	Written Testimony Only

Comments: I am writing to express my strong opposition to the proposed legislation that seeks to criminalize the possession and transport of firearm parts outside of specific locations and without an enclosed container. While I acknowledge the intent of the proposal to enhance public safety and reduce gun violence, this legislation poses several significant concerns.

1. **Infringement on Law-Abiding Citizens' Rights** The proposed bill would unduly burden responsible firearm owners, gunsmiths, and hobbyists who lawfully own and transport firearm components. Many legal firearm owners routinely transport firearm parts for repair, maintenance, sporting activities, or lawful private sales. This legislation could inadvertently criminalize individuals who have no intent to engage in unlawful activities.

2. **Lack of Evidence Linking Parts Possession to Crime Prevention** The bill assumes that restricting access to individual firearm parts will effectively deter violent crime, but there is little evidence to support this claim. Criminals already operate outside existing gun laws, and those intent on using firearms unlawfully will find alternative means to obtain weapons. Implementing stricter penalties for merely possessing firearm parts in a non-operational state does not address the root causes of gun violence.

3. **Penalizing Non-Criminal Behavior** The proposal assumes that anyone carrying firearm parts without an enclosed container is engaging in or preparing for criminal activity. This approach disregards the legitimate reasons individuals may possess such parts, such as home repairs, modifications, and lawful assembly under existing firearm regulations. The law should focus on punishing criminal misuse of firearms rather than broadly restricting lawful ownership and transportation of firearm parts.

4. **Ineffectiveness Against "Ghost Guns"** The bill's focus on ghost guns ignores the fact that individuals who seek to illegally obtain firearms through illicit means, including 3D printing and illegal sales, will not be deterred by additional regulations on parts possession. Instead, efforts should be directed toward targeting illegal firearm trafficking, improving mental health resources, and strengthening penalties for those who use firearms in the commission of violent crimes.

**Conclusion** While I support efforts to reduce crime and enhance public safety, this proposal overreaches and penalizes law-abiding citizens without effectively addressing the problem of gun violence. I urge lawmakers to consider more targeted approaches, such as increasing penalties for illegal firearm use, strengthening enforcement against illegal gun sales, and investing in community programs aimed at reducing violence. I respectfully request that you oppose this proposed legislation and instead pursue more effective crime prevention strategies that do not infringe on the rights of responsible gun owners. Alison Wolford

**HB-279**

Submitted on: 2/3/2025 9:07:47 PM

Testimony for JHA on 2/6/2025 2:00:00 PM

<b>Submitted By</b>	<b>Organization</b>	<b>Testifier Position</b>	<b>Testify</b>
Ryota Takuma	Individual	Oppose	Written Testimony Only

Comments:

I strongly oppose HB279 as this is a law that will affect law abiding citizens who are only transporting non-firearm related parts. The problem with this bill is law enforcement cannot distinguish a part purchased is for a firearm or for a paintball/nerf/gel blaster/pellet/airsoft toy gun or for a movie prop. As this creates ambiguity of parts purchased for other purposes, this is not possible to enforce and track citizens who purchases firearm parts or similar parts for non-firearms and transport it in a vehicle on thier way home or to another business while the items are left in the vehicle. This law will in fact cause distress among even parents who buy accessories for thier kids' toy guns like Gel blaster compatible accessories such as a Scope, light, grip, or optic. This bill is not well thought of the consequence to wrap in innocent people and law abiding citizens to be apprehended for no taking firearm related parts from the place of business straight to thier residence. Please reconsider and not pursue this bill.

**HB-279**

Submitted on: 2/3/2025 9:15:11 PM

Testimony for JHA on 2/6/2025 2:00:00 PM

<b>Submitted By</b>	<b>Organization</b>	<b>Testifier Position</b>	<b>Testify</b>
Lee Uchiyama	Individual	Oppose	Written Testimony Only

Comments:

I oppose this.

**HB-279**

Submitted on: 2/3/2025 9:32:55 PM

Testimony for JHA on 2/6/2025 2:00:00 PM

<b>Submitted By</b>	<b>Organization</b>	<b>Testifier Position</b>	<b>Testify</b>
Sean Pepper Shiramizu	Individual	Oppose	Written Testimony Only

Comments:

Hello!

I am writing testimony in opposition for this bill. This bill doesn't make sense in the way of that there are parts used in firearms that are also regular things you can buy. So it doesn't make sense on how people would differentiate between a regular part and a part meant for a firearm...

Also in the beginning of the bill, there were arrests of people that already had, "four were 8 previously convicted of felonies." So these people aren't allowed to own or be near firearms, but they are still out on the street? Since they were arrested for violating "places to keep," laws... How does that make sense?

Thank you!

**HB-279**

Submitted on: 2/3/2025 9:43:10 PM

Testimony for JHA on 2/6/2025 2:00:00 PM

<b>Submitted By</b>	<b>Organization</b>	<b>Testifier Position</b>	<b>Testify</b>
David P. Alvarado Jr.	Individual	Oppose	In Person

Comments:

In strong opposition to HB279! The only thing this bill accomplishes is criminalizing law abiding citizens and hinder constitutional freedoms.

**HB-279**

Submitted on: 2/3/2025 10:01:27 PM

Testimony for JHA on 2/6/2025 2:00:00 PM

<b>Submitted By</b>	<b>Organization</b>	<b>Testifier Position</b>	<b>Testify</b>
Joshu Diringer	Individual	Oppose	Written Testimony Only

Comments:

I strongly oppose this legislation.

**HB-279**

Submitted on: 2/3/2025 10:01:30 PM

Testimony for JHA on 2/6/2025 2:00:00 PM

<b>Submitted By</b>	<b>Organization</b>	<b>Testifier Position</b>	<b>Testify</b>
Danielle E. Sagun-Apilado	Individual	Oppose	Written Testimony Only

Comments:

I oppose bill HB279



**HB-279**

Submitted on: 2/3/2025 10:02:49 PM

Testimony for JHA on 2/6/2025 2:00:00 PM

<b>Submitted By</b>	<b>Organization</b>	<b>Testifier Position</b>	<b>Testify</b>
Raymond Ishii	Individual	Oppose	Written Testimony Only

Comments:

My name is Raymond Ishii and I strongly Oppose HB279.

This bill is simply stupid and should not pass out of this hearing.

By attempting to criminalize the carrying of 3 or more firearm parts shows just how anti 2nd Amendment the Legislature is. A firearm part is not a firearm and cannot fire ammunition, it is not any more dangerous than something you could buy at a hardware store. By requiring carrying of firearms part is a "Enclosed container" means a rigidly constructed receptacle, or a commercially manufactured gun case, or the equivalent thereof that completely encloses the firearm or firearm parts. Is not realistic because many firearm parts are sold in clear plastic bags and are if you are lucky the store will give you a paper bag to carry it out of the store. Also firearms parts include a bag of springs, screws, pins and even the larger parts such as barrels are no more dangerous than carrying a stick.

Again I strongly Oppose HB279 and a beg you to vote NO.

Thank You

**HB-279**

Submitted on: 2/3/2025 10:03:28 PM

Testimony for JHA on 2/6/2025 2:00:00 PM

<b>Submitted By</b>	<b>Organization</b>	<b>Testifier Position</b>	<b>Testify</b>
Sean Choo	Individual	Oppose	Written Testimony Only

Comments:

The serialized portion of the firearm is already treated by the law as if it was a firearm in and of itself. Thus the need to register lowers or fire control units, or frames. These parts would be necessary to assemble a working firearm. There is already strict law regarding this. This again just seeks to over regulate and penalize the law abiding.

**HB-279**

Submitted on: 2/3/2025 10:12:37 PM

Testimony for JHA on 2/6/2025 2:00:00 PM

<b>Submitted By</b>	<b>Organization</b>	<b>Testifier Position</b>	<b>Testify</b>
Zon Sullenberger	Individual	Oppose	Written Testimony Only

Comments:

Please oppose HB 279

**HB-279**

Submitted on: 2/3/2025 10:12:42 PM

Testimony for JHA on 2/6/2025 2:00:00 PM

<b>Submitted By</b>	<b>Organization</b>	<b>Testifier Position</b>	<b>Testify</b>
Michael A. Cobb Jr	Individual	Oppose	Written Testimony Only

Comments:

Dear Legislators,

Please do not infringe on our second amendment rights by placing restrictions on firearm parts. Unserialized parts are not the problem it is the criminal element which uses these parts to build a gun that is the problem. At the founding of our country most firearms were homemade, so parts should not be restricted. This should include all accessories like magazines over 10 rounds, these restrictions only put the law-abiding citizen at a disadvantage over the crook. You need to stop infringing on the rights of the young adults from 18 years old, they can join the army, why are they lesser citizens than those over 21?

This bill is not needed. What is needed is incentivizing the individual law-abiding citizen to exercise their second amendment rights in the same way we exercise all of our other rights. Stop blaming the tools and deal with the criminals.

**HB-279**

Submitted on: 2/3/2025 10:23:19 PM

Testimony for JHA on 2/6/2025 2:00:00 PM

<b>Submitted By</b>	<b>Organization</b>	<b>Testifier Position</b>	<b>Testify</b>
anthony	Individual	Oppose	In Person

Comments:

I strongly oppose any law that restricts my constitutional rights as an American. The 2nd amendment clearly state that "it shall not be infringed." As public servants, you must follow the constitution and stop trying to mess with our rights. You people already took away to many rights and keep making it harder for local families to stay in Hawaii.

Anthony Dean

**HB-279**

Submitted on: 2/3/2025 10:32:22 PM

Testimony for JHA on 2/6/2025 2:00:00 PM

<b>Submitted By</b>	<b>Organization</b>	<b>Testifier Position</b>	<b>Testify</b>
Andrew Crossland	Individual	Oppose	Written Testimony Only

Comments:

**I STRONGLY OPPOSE** this Bill that infringes on our 2nd Amendment rights. I urge all members of the Committee to **VOTE NO** on this Bill.

**HB-279**

Submitted on: 2/3/2025 10:48:52 PM

Testimony for JHA on 2/6/2025 2:00:00 PM

<b>Submitted By</b>	<b>Organization</b>	<b>Testifier Position</b>	<b>Testify</b>
Eric Hammond	Individual	Oppose	Written Testimony Only

Comments:

**Aloha,**

**My name is Eric Hammond and I strongly oppose the bill. This bill will make gun parts restricted and illegal to carry or possess in most situations. Gun parts that are NOT defined as a firearm and cannot act as a firearm until assembled into a firearm.**

**These are barrels, springs, levers, and many other parts that are common to many other applications including auto parts, mechanical things, and others. Just because they can be assembled into a firearm does not mean they are dangerous in their seperate parts.**

**This is yet another bill originating from Anti-gun groups intent on restricting my right to protect myself and my family.**

**Please do not allow this bill to exit the committee.**

**Mahalo**

**HB-279**

Submitted on: 2/3/2025 10:52:12 PM

Testimony for JHA on 2/6/2025 2:00:00 PM

<b>Submitted By</b>	<b>Organization</b>	<b>Testifier Position</b>	<b>Testify</b>
Richard Domingo	Individual	Oppose	Written Testimony Only

Comments:

I strongly oppose HB279.

for one, I think this bill completely missed the mark on what a "ghost gun" is completely.

Ghost gun: "is a privately made firearm that lacks a serial number and is typically untraceable."

If someone were to build a gun the legal way, they're already required by Hawaii law to register that said firearm. Now you want to make it illegal to move a legally purchased/obtained part from here to there? Make it make sense. I OPPOSE



**HB-279**

Submitted on: 2/3/2025 11:05:00 PM

Testimony for JHA on 2/6/2025 2:00:00 PM

<b>Submitted By</b>	<b>Organization</b>	<b>Testifier Position</b>	<b>Testify</b>
Easter K. Logan	Individual	Oppose	Written Testimony Only

Comments:

I strongly oppose

**HB-279**

Submitted on: 2/3/2025 11:10:25 PM

Testimony for JHA on 2/6/2025 2:00:00 PM

<b>Submitted By</b>	<b>Organization</b>	<b>Testifier Position</b>	<b>Testify</b>
Stephen Yuen	Individual	Oppose	Written Testimony Only

Comments:

I'm in opposition to this bill as it will not increase safety but further hinder my constitutional rights.

**HB-279**

Submitted on: 2/3/2025 11:44:29 PM

Testimony for JHA on 2/6/2025 2:00:00 PM

<b>Submitted By</b>	<b>Organization</b>	<b>Testifier Position</b>	<b>Testify</b>
Adrian Flack	Individual	Oppose	Written Testimony Only

Comments:

The proposed bill, which seeks to regulate the carrying and possession of firearm parts by restricting their transport to specific locations and requiring an enclosed container, represents a direct and unconstitutional infringement on the Second Amendment. Additionally, it imposes unnecessary and arbitrary restrictions on law-abiding citizens while failing to address criminal misuse of firearms. Recent Supreme Court decisions, particularly *New York State Rifle & Pistol Association, Inc. v. Bruen* (2022),\* provide a clear legal standard for evaluating such regulations, and this proposal does not meet that test.

The Second Amendment states that “the right of the people to keep and bear Arms, shall not be infringed.” The Supreme Court’s decision in *Bruen* reaffirmed that firearm regulations must be “consistent with the Nation’s historical tradition of firearm regulation.” This means that any restriction lacking historical precedent is unconstitutional.

1. No Historical Basis for Restricting Firearm Parts

- The regulation of firearm components, including limitations on where and how they may be possessed or transported, lacks any historical tradition from the time of the Founding.
- *Heller* (2008) held that the Second Amendment protects arms “in common use,” and *Bruen* expanded upon this principle, requiring regulations to be justified by historical precedent.
- Firearm parts—such as barrels, triggers, and magazines—are integral to maintaining, repairing, and customizing firearms for lawful purposes, including self-defense and sport shooting. Restrictions on their transport and possession serve only to burden law-abiding gun owners without legitimate constitutional justification.

2. Unlawful and Arbitrary Transport Restrictions

- Restricting the carrying and possession of firearm parts to “specific locations” and requiring them to be enclosed in a container imposes an undue burden on lawful gun owners.

- There is no historical tradition of requiring firearms or their components to be transported in a particular manner, making this restriction unconstitutional under Bruen.

- The law would criminalize otherwise lawful activities, such as gunsmithing, competitive shooting, and firearms training, by imposing arbitrary limitations on how firearm parts are moved between locations.

### 3. Increased Penalties for Lawful Conduct

- By increasing penalties for the mere possession or transport of firearm parts outside government-approved locations, this bill turns ordinary citizens into criminals for exercising their constitutional rights.

- The Bruen decision specifically rejected interest-balancing approaches that weigh public safety concerns against constitutional rights, emphasizing that the Second Amendment cannot be subjected to a lesser level of scrutiny.

The Bruen ruling set a clear standard: gun control laws must be deeply rooted in historical tradition. This proposed bill fails that test because:

- There is no historical precedent for restricting firearm parts or imposing transport limitations.

- The government cannot impose broad restrictions on lawful gun owners without demonstrating a direct connection to historical firearm regulations.

- The penalties imposed are not narrowly tailored to criminal misuse of firearms but instead burden lawful possession and transportation.

## Conclusion

This bill is an unconstitutional overreach that imposes undue restrictions on law-abiding gun owners while failing to align with historical firearm regulations as required by Bruen. By limiting where and how firearm parts can be carried or transported, it directly infringes upon the Second Amendment. Rather than imposing arbitrary restrictions, lawmakers should focus on enforcing existing laws that target criminal misuse of firearms. Given the Supreme Court's

strong stance on protecting gun rights, this bill is likely to face significant legal challenges and should be rejected outright.

**HB-279**

Submitted on: 2/3/2025 11:45:21 PM

Testimony for JHA on 2/6/2025 2:00:00 PM

<b>Submitted By</b>	<b>Organization</b>	<b>Testifier Position</b>	<b>Testify</b>
Benel Piros	Individual	Oppose	Written Testimony Only

Comments:

I Oppose due to the fact that WE as LAW ABIDING citizens are subjected to more infringement on our rights where criminals DON'T follow any Laws period.

**HB-279**

Submitted on: 2/3/2025 11:46:25 PM

Testimony for JHA on 2/6/2025 2:00:00 PM

<b>Submitted By</b>	<b>Organization</b>	<b>Testifier Position</b>	<b>Testify</b>
Charles-Michael victorino	Individual	Oppose	Written Testimony Only

Comments:

I am writing to strongly oppose Hawaii House Bill 279 (HB279), which I believe is both unnecessarily restrictive and unfairly criminalizes responsible gun owners. Specifically, the bill creates a situation where individuals legally transporting their firearms would immediately be treated as criminals simply for engaging in routine activities, such as stopping for gas or taking a break during a long drive.

HB279 does not adequately take into account the realities of legal gun ownership and the common practices of transporting firearms. The bill's provisions could lead to law-abiding citizens facing serious legal consequences simply for stopping at a gas station or other legitimate public places while in transit. This type of regulation places undue burden on gun owners, who may already be complying with laws requiring firearms to be securely stored during transport.

Additionally, the bill treats gun parts—such as frames, receivers, or other components—as if they are fully functional firearms. This distinction is critical. Gun parts, in and of themselves, do not constitute an operational firearm and should not be subject to the same regulations that apply to a complete weapon. Treating parts as if they are fully functional guns undermines common-sense distinctions that have been upheld by law and could result in unjust penalties for individuals who are merely in possession of parts for lawful purposes, such as repair or modification.

HB279, in its current form, represents a disproportionate and unnecessary expansion of government authority, effectively making criminals out of law-abiding citizens for acts as simple as making a stop during a long journey. I urge lawmakers to reconsider this bill, as it not only creates unnecessary legal risks for gun owners but also fails to address the underlying issues of gun violence or safety in a practical and effective manner.

Instead of implementing overreaching measures that punish responsible citizens, we should be focusing on policies that respect the rights of gun owners while ensuring public safety through targeted, evidence-based solutions.

**HB-279**

Submitted on: 2/4/2025 12:00:44 AM

Testimony for JHA on 2/6/2025 2:00:00 PM

<b>Submitted By</b>	<b>Organization</b>	<b>Testifier Position</b>	<b>Testify</b>
Vladimir Cabias	Individual	Oppose	Written Testimony Only

Comments:

As a law abiding citizen I strongly oppose HB279 as it adds an additional burden to lawful gun owners. Criminals and people who intend on breaking current laws will not abide by any new imposed laws to begin with so it makes no sense to punish good people who have followed the established laws.



**HB-279**

Submitted on: 2/4/2025 12:08:43 AM

Testimony for JHA on 2/6/2025 2:00:00 PM

<b>Submitted By</b>	<b>Organization</b>	<b>Testifier Position</b>	<b>Testify</b>
Bradd Haitzuka	Individual	Oppose	Written Testimony Only

Comments:

I am writing in strong opposition to this bill

If passed this bill will potentially turn law abiding citizens into criminals for simply participating in a constitutionally protected activity. Do not pass this flawed bill.

**HB-279**

Submitted on: 2/4/2025 12:24:33 AM

Testimony for JHA on 2/6/2025 2:00:00 PM

<b>Submitted By</b>	<b>Organization</b>	<b>Testifier Position</b>	<b>Testify</b>
Brandon Santiago	Individual	Oppose	Written Testimony Only

Comments:

I oppose HB279. This bill is an infringement on the second amendment, and is therefore, unconstitutional. HB279 is a solution for a problem that does not exist.

Firearm parts allow firearms to function in the most safest manner. Firearm parts allow the operator to have the most control over the firearm, when used according to the firearms intended design. Firearm parts, by themselves, are not dangerous, and are indistinguishable from parts, of any other mechanical device.

**HB-279**

Submitted on: 2/4/2025 12:35:12 AM

Testimony for JHA on 2/6/2025 2:00:00 PM

<b>Submitted By</b>	<b>Organization</b>	<b>Testifier Position</b>	<b>Testify</b>
Alan Miller	Individual	Oppose	Written Testimony Only

Comments:

I actually read pretty much the entire PDF for this measure. And I understand the reasoning behind the measure and I actually think there are some parts that make sense such as increasing penalties on prohibited possessor's and prior felons. I also think we should have harsher penalties for people who get caught with firearms and other illegal contraband or are caught with firearm possession while in the commission of other offenses.

But I have to oppose the law as it is currently written. The goal of this law is to go after criminals with deconstructed ghost guns essentially or even just deconstructed firearms so they don't work at the moment but can be assembled in "seconds". So the key here is that they would still need the frame or receiver that would allow them to assemble the firearm. So that is what should be focused on rather than an arbitrary number of "3 firearm" parts that magically reach some made up threshold.

The law should be that there is increased penalties if someone is in possession of firearm parts WHICH INCLUDE A FRAME OR RECEIVER. Not just 3 random parts.

Because as the law is written now I could go to jail as a law abiding citizen if I have 3 random springs or pins in my car that fell out of my range bag, or even if they are universal springs/pins that happen to fit in a firearm.

The current rules are bad enough already that law abiding citizens can't even go to get gas or go through a drivethru window for food on our way to or from the range/gunstore. But the current wording of this measure would make it even worse.

**HB-279**

Submitted on: 2/4/2025 1:56:42 AM

Testimony for JHA on 2/6/2025 2:00:00 PM

<b>Submitted By</b>	<b>Organization</b>	<b>Testifier Position</b>	<b>Testify</b>
Jacob Holcomb	Individual	Oppose	Written Testimony Only

Comments:

I'd like to personally thank the Soros toadie who introduced this bill. Even the most spineless gun store owners are now compelled to participate in the current legislative session.

**HB-279**

Submitted on: 2/4/2025 2:46:50 AM

Testimony for JHA on 2/6/2025 2:00:00 PM

<b>Submitted By</b>	<b>Organization</b>	<b>Testifier Position</b>	<b>Testify</b>
Rob Mihada	Individual	Oppose	Written Testimony Only

Comments:

I oppose any bill that infringes upon the Second Amendment because it directly undermines the constitutional right to bear arms, a fundamental freedom that is essential for self-defense and individual liberty. Restricting this right not only jeopardizes personal safety but also weakens the checks and balances designed to protect citizens from government overreach.

**HB-279**

Submitted on: 2/4/2025 3:45:55 AM

Testimony for JHA on 2/6/2025 2:00:00 PM

<b>Submitted By</b>	<b>Organization</b>	<b>Testifier Position</b>	<b>Testify</b>
Robert E Reuter	Individual	Oppose	Written Testimony Only

Comments:

I do not feel that such a law is truly in the benefit of the people on this. Fire arms parts can be something as simple as a pipe or a spring. It also calls into question how aggressive the state plans on having the police enage on a simple traffic stop on anyone one's car. As someone currently applying for the police this is something that feels horrifing to do to the average citizen on a routine stop. Please do not make the state and the ones enforcing the laws a truly oppressive force against the people.

**HB-279**

Submitted on: 2/4/2025 5:18:46 AM

Testimony for JHA on 2/6/2025 2:00:00 PM

<b>Submitted By</b>	<b>Organization</b>	<b>Testifier Position</b>	<b>Testify</b>
Barry Aoki	Individual	Oppose	Written Testimony Only

Comments:

I request you OPPOSE this bill in its entirety. This bill will criminalize the possession of parts by sportsmen and hunters who legally possess spare parts. This bill will change the definition of what constitutes a firearm which is already in the HRS. Do you honestly believe this bill will prevent crime? If you do, then you are seriously misguided. Please OPPOSE this bill in its entirety.

Thank you

Barry Aoki

**HB-279**

Submitted on: 2/4/2025 6:14:25 AM

Testimony for JHA on 2/6/2025 2:00:00 PM

<b>Submitted By</b>	<b>Organization</b>	<b>Testifier Position</b>	<b>Testify</b>
Steve Robertson	Individual	Oppose	Written Testimony Only

Comments:

**Oppose.** No need to waste your valuable time passing new laws to regulate manini. Guns are already tightly controlled in the aloha state. Focus your efforts on something more meaningful like affordable housing, wild fire prevention, improving education and other important matters.

Mahalo



**HB-279**

Submitted on: 2/4/2025 6:38:57 AM

Testimony for JHA on 2/6/2025 2:00:00 PM

<b>Submitted By</b>	<b>Organization</b>	<b>Testifier Position</b>	<b>Testify</b>
Bernice Jarra	Individual	Oppose	Written Testimony Only

Comments:

I opposed to this bill

**HB-279**

Submitted on: 2/4/2025 6:50:03 AM

Testimony for JHA on 2/6/2025 2:00:00 PM

<b>Submitted By</b>	<b>Organization</b>	<b>Testifier Position</b>	<b>Testify</b>
Alex Akui	Individual	Oppose	Written Testimony Only

Comments:

Strongly opposed!

**HB-279**

Submitted on: 2/4/2025 7:17:58 AM

Testimony for JHA on 2/6/2025 2:00:00 PM

<b>Submitted By</b>	<b>Organization</b>	<b>Testifier Position</b>	<b>Testify</b>
Timothy Miyao	Individual	Oppose	Written Testimony Only

Comments:

Please oppose HB279.

Thank you for all you do for the people of Hawaii!

**HB-279**

Submitted on: 2/4/2025 7:27:38 AM

Testimony for JHA on 2/6/2025 2:00:00 PM

<b>Submitted By</b>	<b>Organization</b>	<b>Testifier Position</b>	<b>Testify</b>
Clifford Chee	Individual	Oppose	Written Testimony Only

Comments:

Dear Sir/Ma'am,

Please respect my 2nd Amendment rights. I have served my Country/Community and have enjoyed target shooting for over thirty years and have always been a responsible firearms owner. Elements of this Bill would label me a criminal.

Please focus on the real criminals committing crimes in our neighborhoods, not the law-abiding citizens that enjoy the shooting sports. I work hard to be a good citizen...please treat me as such.

Thank you for your service to the State of Hawaii

**HB-279**

Submitted on: 2/4/2025 7:32:26 AM

Testimony for JHA on 2/6/2025 2:00:00 PM

<b>Submitted By</b>	<b>Organization</b>	<b>Testifier Position</b>	<b>Testify</b>
Claudia Pokipala	Individual	Oppose	Written Testimony Only

Comments:

I oppose this ridiculous bill that would make it illegal to transport a part of firearm. This is ridiculous because it wouldn't pose a threat it is another infringement on our freedom and is absolutely unacceptable to make this bill even an issue. It's nonsensical.

**HB-279**

Submitted on: 2/4/2025 7:46:43 AM

Testimony for JHA on 2/6/2025 2:00:00 PM

<b>Submitted By</b>	<b>Organization</b>	<b>Testifier Position</b>	<b>Testify</b>
Zachariah Helenihi	Individual	Oppose	Written Testimony Only

Comments:

I oppose this bill. Any and all laws that restrict my ability to keep and bear arms is unconstitutional and infringes on my 2nd amendment right

**HB-279**

Submitted on: 2/4/2025 7:46:56 AM

Testimony for JHA on 2/6/2025 2:00:00 PM

<b>Submitted By</b>	<b>Organization</b>	<b>Testifier Position</b>	<b>Testify</b>
Bunnie Harrington	Individual	Oppose	Written Testimony Only

Comments:

I strongly oppose bill SB279. This bill creates yet another path of overreaching by the Hawaii State Government.

Thank you.

**HB-279**

Submitted on: 2/4/2025 7:47:43 AM

Testimony for JHA on 2/6/2025 2:00:00 PM

<b>Submitted By</b>	<b>Organization</b>	<b>Testifier Position</b>	<b>Testify</b>
Phillip	Individual	Oppose	Written Testimony Only

Comments:

I oppose bill hb279



**HB-279**

Submitted on: 2/4/2025 7:49:57 AM

Testimony for JHA on 2/6/2025 2:00:00 PM

<b>Submitted By</b>	<b>Organization</b>	<b>Testifier Position</b>	<b>Testify</b>
Jerry Ilo	Individual	Oppose	Written Testimony Only

Comments:

Strongly oppose. There are existing laws pertaining to this. There is no need to turn legal gun owners and enthusiasts in to criminals just for protecting ourselves.

**HB-279**

Submitted on: 2/4/2025 8:00:22 AM

Testimony for JHA on 2/6/2025 2:00:00 PM

<b>Submitted By</b>	<b>Organization</b>	<b>Testifier Position</b>	<b>Testify</b>
Cheryl Rzonca	Individual	Oppose	Written Testimony Only

Comments: I oppose HB279. This violates our 2nd amendment rights.

**HB-279**

Submitted on: 2/4/2025 8:07:43 AM

Testimony for JHA on 2/6/2025 2:00:00 PM

<b>Submitted By</b>	<b>Organization</b>	<b>Testifier Position</b>	<b>Testify</b>
Ted Baldonado	Individual	Oppose	Written Testimony Only

Comments:

I oppose HB279 as this measure may deter maintenance and care for firearm owners. The measure does not take into account that multiple maintenance parts are needed to bring the firearm to working order. The measure needs to be specific as a most individual parts cannot produce a firearm. 4 magazines or 4 recoil springs under this category all combine cannot produce a firearm. I also bring fourth the issue of safe transportation. A shotgun or rifle that has been broken down can easily be transported and be less visible when moving from place to place as well as ensure no one can immediatly use the firearm in the unfortunate event of a smah and grab as we have seen happen alot in our areas.

**HB-279**

Submitted on: 2/4/2025 8:10:39 AM

Testimony for JHA on 2/6/2025 2:00:00 PM

<b>Submitted By</b>	<b>Organization</b>	<b>Testifier Position</b>	<b>Testify</b>
Lyle HIromoto	Individual	Oppose	Written Testimony Only

Comments:

I oppose.

**HB-279**

Submitted on: 2/4/2025 8:12:04 AM

Testimony for JHA on 2/6/2025 2:00:00 PM

<b>Submitted By</b>	<b>Organization</b>	<b>Testifier Position</b>	<b>Testify</b>
Mike Harrington	Individual	Oppose	Written Testimony Only

Comments:

I oppose this bill. Constitutional Rights shall not be infringed. The right to personal protection is NOT A PRIVILEGE given by the government, it is our GOD given right.

**HB-279**

Submitted on: 2/4/2025 8:12:52 AM

Testimony for JHA on 2/6/2025 2:00:00 PM

<b>Submitted By</b>	<b>Organization</b>	<b>Testifier Position</b>	<b>Testify</b>
Tina Lia	Individual	Oppose	Written Testimony Only

Comments:

This bill violates my constitutionally protected rights.

**HB-279**

Submitted on: 2/4/2025 8:15:08 AM

Testimony for JHA on 2/6/2025 2:00:00 PM

<b>Submitted By</b>	<b>Organization</b>	<b>Testifier Position</b>	<b>Testify</b>
Lois Langham	Individual	Support	Written Testimony Only

Comments:

Book 'em Dano! Keep Hawaii safe.

**HB-279**

Submitted on: 2/4/2025 8:18:27 AM

Testimony for JHA on 2/6/2025 2:00:00 PM

<b>Submitted By</b>	<b>Organization</b>	<b>Testifier Position</b>	<b>Testify</b>
Jason Howell	Individual	Oppose	Written Testimony Only

Comments:

HB 279. Is a blatant infringement of (We The People's) 2nd Amendment Right to keep and bear arms.



**HB-279**

Submitted on: 2/4/2025 8:24:52 AM

Testimony for JHA on 2/6/2025 2:00:00 PM

<b>Submitted By</b>	<b>Organization</b>	<b>Testifier Position</b>	<b>Testify</b>
Cindy R Ajimine	Individual	Oppose	Written Testimony Only

Comments:

I OPPOSE this bill

**HB-279**

Submitted on: 2/4/2025 8:26:48 AM

Testimony for JHA on 2/6/2025 2:00:00 PM

<b>Submitted By</b>	<b>Organization</b>	<b>Testifier Position</b>	<b>Testify</b>
Ryan Willis	Individual	Oppose	Written Testimony Only

Comments:

I strontly oppose

**HB-279**

Submitted on: 2/4/2025 8:31:53 AM

Testimony for JHA on 2/6/2025 2:00:00 PM

<b>Submitted By</b>	<b>Organization</b>	<b>Testifier Position</b>	<b>Testify</b>
Kanoë Willis	Individual	Oppose	Written Testimony Only

Comments:

I strontly oppose

**HB-279**

Submitted on: 2/4/2025 8:32:23 AM

Testimony for JHA on 2/6/2025 2:00:00 PM

<b>Submitted By</b>	<b>Organization</b>	<b>Testifier Position</b>	<b>Testify</b>
Craig Kashiwai	Individual	Oppose	Written Testimony Only

Comments:

I oppose this bill because it infringes on my Constitutional rights.

**HB-279**

Submitted on: 2/4/2025 8:35:07 AM

Testimony for JHA on 2/6/2025 2:00:00 PM

<b>Submitted By</b>	<b>Organization</b>	<b>Testifier Position</b>	<b>Testify</b>
Bruce F Braun	Individual	Oppose	Written Testimony Only

Comments:

Strongly Oppose

**HB-279**

Submitted on: 2/4/2025 8:37:07 AM

Testimony for JHA on 2/6/2025 2:00:00 PM

<b>Submitted By</b>	<b>Organization</b>	<b>Testifier Position</b>	<b>Testify</b>
J S	Individual	Oppose	Written Testimony Only

Comments:

And finally.

Shall not be infringed.

Opposed.

**HB-279**

Submitted on: 2/4/2025 8:38:30 AM

Testimony for JHA on 2/6/2025 2:00:00 PM

<b>Submitted By</b>	<b>Organization</b>	<b>Testifier Position</b>	<b>Testify</b>
Gavin Heideman	Individual	Oppose	Remotely Via Zoom

Comments:

Not all people who own firearms are criminals, and we should enforce laws that affect the actual problem, the criminals who are arrested, released, arrested, released over and over again.

enforcing mandatory sentences violates rights of people to be protected against unfair trials.

Being considered guilty of crimes that you do not take part in, simply possessing 3 or more parts while stopping for gas or other necessary activities? You don't even need to be in possession of all parts necessary to assemble a functional firearm. And is every single seperable piece considered a part? You're leaving the language very broad and open to slippery interpretation.

Also, maybe we should look at how and why criminals can break into vehicles without being deterred. The criminals should be punished, not us regular everyday people just trying to live our lives. Crooks are not even bothered with the idea of being caught, the catch and release system for real criminals is perpetuating these issues. Increase penalties for car break in/theft, bulgary, b&e, theft and robbery. Throw the book at the right people, gangs and crooks and peaceable people wanting to participate in the firearm community without being treated like an outlaw.

**HB-279**

Submitted on: 2/4/2025 8:41:15 AM

Testimony for JHA on 2/6/2025 2:00:00 PM

<b>Submitted By</b>	<b>Organization</b>	<b>Testifier Position</b>	<b>Testify</b>
Tim Huycke	Individual	Support	Written Testimony Only

Comments:

I support HB279.



**HB-279**

Submitted on: 2/4/2025 8:50:15 AM

Testimony for JHA on 2/6/2025 2:00:00 PM

<b>Submitted By</b>	<b>Organization</b>	<b>Testifier Position</b>	<b>Testify</b>
Cheryl Tanaka	Individual	Oppose	Written Testimony Only

Comments:

I oppose this bill. As a mother, I don't have the time to go just to a gun store to buy the parts I need and go straight home. We multi-task and do all the errands in 1 trip as time is a luxury I do not have.

Why I need to buy parts is because most guns are made for bigger and stronger hands. So I like to customize my firearm to fit my needs strength and size wise.

**HB-279**

Submitted on: 2/4/2025 8:51:13 AM

Testimony for JHA on 2/6/2025 2:00:00 PM

<b>Submitted By</b>	<b>Organization</b>	<b>Testifier Position</b>	<b>Testify</b>
Alfred Farrow	Individual	Oppose	Written Testimony Only

Comments:

I oppose this bill. There are already laws on this. More wasted tax payer's money, government resources. Create better laws that protect citizens from criminals. The Hawai'i State Legislature is for the people, by the people.

**HB-279**

Submitted on: 2/4/2025 9:02:30 AM

Testimony for JHA on 2/6/2025 2:00:00 PM

<b>Submitted By</b>	<b>Organization</b>	<b>Testifier Position</b>	<b>Testify</b>
Reid Oya	Individual	Oppose	Written Testimony Only

Comments:

Carrying parts? 🤖 There are so many laws on the books already. NONE of them stop CRIMINALS from doing bad things. Making new laws won't stop them either. Murder, assault, rape, theft, kidnapping etc. all illegal dut they still happen. You're only making it hard for the law abiding citizens to protect themselves. Can you GUARANTEE the public's safety? Nothing bad going happen to us?

**HB-279**

Submitted on: 2/4/2025 9:05:52 AM

Testimony for JHA on 2/6/2025 2:00:00 PM

<b>Submitted By</b>	<b>Organization</b>	<b>Testifier Position</b>	<b>Testify</b>
Joelle Seashell	Individual	Oppose	Written Testimony Only

Comments:

Those who wrote this legislation and those who vote in favor of it are in direct violation of the constitution--the highest law of the land. They are working to destroy the foundational elements of our country. The American people have outright rejected democrats and their agenda. The Legislatures who are in favor of infringing on our right to bare arms are a threat to our consistutional republic and need to be removed from office. They are inviolation if the oath they took to uphold the constitution.

**HB-279**

Submitted on: 2/4/2025 9:19:12 AM

Testimony for JHA on 2/6/2025 2:00:00 PM

<b>Submitted By</b>	<b>Organization</b>	<b>Testifier Position</b>	<b>Testify</b>
Noela von Wiegandt	Individual	Oppose	Written Testimony Only

Comments:

Aloha,

I oppose HB279. Once again, Stop whittling away our Second Amendment rights. Most legal gun owners follow all the laws and rules. You took an Oath to protect the Constitution of the United States, now Honor your Oath.

Thank You

Noela von Wiegandt

**HB-279**

Submitted on: 2/4/2025 9:21:53 AM

Testimony for JHA on 2/6/2025 2:00:00 PM

<b>Submitted By</b>	<b>Organization</b>	<b>Testifier Position</b>	<b>Testify</b>
Mr. & Mrs. O'Neill	Individual	Oppose	Written Testimony Only

Comments:

I strongly oppose HB 279. This is in direct violation of our Second Amendment rights.

Regards, Steve and Linda O'Neill

**HB-279**

Submitted on: 2/4/2025 9:34:38 AM

Testimony for JHA on 2/6/2025 2:00:00 PM

<b>Submitted By</b>	<b>Organization</b>	<b>Testifier Position</b>	<b>Testify</b>
Gerald Yamada	Individual	Oppose	Written Testimony Only

Comments:

This law will result in innocent hunters and recreational shooters being arrested for stopping at convenience stores or others. Hawaii already has enough restrictions.

**HB-279**

Submitted on: 2/4/2025 9:35:20 AM

Testimony for JHA on 2/6/2025 2:00:00 PM

<b>Submitted By</b>	<b>Organization</b>	<b>Testifier Position</b>	<b>Testify</b>
Scott Smart	Individual	Oppose	Written Testimony Only

Comments:

I OPPOSE HB279. The language in this bill is incredibly broad. The possession of three magazines outside of the permitted locations would be an offense, yet there is no public danger from merely possessing a bunch of parts such as magazines. The stated number of parts (three) is arbitrary and has no basis. Three springs would constitute an offense. Per this bill I would have to have an "enclosed container" just to carry some springs.



**HB-279**

Submitted on: 2/4/2025 9:47:03 AM

Testimony for JHA on 2/6/2025 2:00:00 PM

<b>Submitted By</b>	<b>Organization</b>	<b>Testifier Position</b>	<b>Testify</b>
Roarke Clinton	Individual	Support	Written Testimony Only

Comments:

Access to guns in the home increases the risk of suicide by 300%.

Improperly storing guns can contribute to guns entering the illegal market.

Unlocked and loaded firearms in the home drastically jeopardize the safety of our keiki.

**HB-279**

Submitted on: 2/4/2025 10:01:08 AM

Testimony for JHA on 2/6/2025 2:00:00 PM

<b>Submitted By</b>	<b>Organization</b>	<b>Testifier Position</b>	<b>Testify</b>
Henry Bruckner	Individual	Oppose	Written Testimony Only

Comments:

firearm parts are not weapons and should not be treated as such. Such "parts" are also undefined. Is carrying some screws that *might* be used in a firearm constitute a felony?

**HB-279**

Submitted on: 2/4/2025 10:02:13 AM

Testimony for JHA on 2/6/2025 2:00:00 PM

<b>Submitted By</b>	<b>Organization</b>	<b>Testifier Position</b>	<b>Testify</b>
Nancy Taylor	Individual	Support	Written Testimony Only

Comments:

Access to firearms can enable tragedies to happen in Hawaii just like what happened in Sweden today. I STONGLY SUPPORT HB279.

THank you for your consideration of my testimony.

**HB-279**

Submitted on: 2/4/2025 10:04:04 AM

Testimony for JHA on 2/6/2025 2:00:00 PM

<b>Submitted By</b>	<b>Organization</b>	<b>Testifier Position</b>	<b>Testify</b>
Ashley de Coligny	Individual	Support	Written Testimony Only

Comments:

Aloha,

I am a resident of Kaneohe writing in strong support of HB 279. Like the majority of Hawaii residents, I support our strong, common-sense gun laws that keep everyone in our islands safer. Access to guns in the home increases the risk of suicide by 300%, and unlocked firearms in the home drastically jeopardize the safety of our keiki. Please consider the safety and well-being of our families and communities over the wishes of a small group of gun enthusiasts. Thank you for your time and the opportunity to testify.

Ashley de Coligny

Kaneohe, HI

**HB-279**

Submitted on: 2/4/2025 10:06:55 AM

Testimony for JHA on 2/6/2025 2:00:00 PM

<b>Submitted By</b>	<b>Organization</b>	<b>Testifier Position</b>	<b>Testify</b>
MICHAEL ING	Individual	Oppose	Written Testimony Only

Comments:

I oppose this bill.

**HB-279**

Submitted on: 2/4/2025 10:09:38 AM

Testimony for JHA on 2/6/2025 2:00:00 PM

<b>Submitted By</b>	<b>Organization</b>	<b>Testifier Position</b>	<b>Testify</b>
Lesha Mathes	Individual	Oppose	Written Testimony Only

Comments:

I oppose this bill. Again, government overreach. Quit treading on our rights. Quit trying to make everything gun related illegal.

**HB-279**

Submitted on: 2/4/2025 10:15:50 AM

Testimony for JHA on 2/6/2025 2:00:00 PM

<b>Submitted By</b>	<b>Organization</b>	<b>Testifier Position</b>	<b>Testify</b>
Mimi Beams	Individual	Support	Written Testimony Only

Comments:

**HB 279** - Access to guns in the home increases the risk of suicide by 300%.

Improperly storing guns can contribute to guns entering the illegal market.

Unlocked and loaded firearms in the home drastically jeopardize the safety of our keiki. We must save lives. Please pass this bill. Thank you

**HB-279**

Submitted on: 2/4/2025 10:16:13 AM

Testimony for JHA on 2/6/2025 2:00:00 PM

<b>Submitted By</b>	<b>Organization</b>	<b>Testifier Position</b>	<b>Testify</b>
Richard Frey	Individual	Oppose	Written Testimony Only

Comments:

.



**HB-279**

Submitted on: 2/4/2025 10:17:19 AM

Testimony for JHA on 2/6/2025 2:00:00 PM

<b>Submitted By</b>	<b>Organization</b>	<b>Testifier Position</b>	<b>Testify</b>
Travis	Individual	Oppose	Written Testimony Only

Comments:

I STRONGLY OPPOSE THIS BILL

This Bill would impede my constitutional right.

Unneeded and Unnecessary Government Overreach

**HB-279**

Submitted on: 2/4/2025 10:18:34 AM

Testimony for JHA on 2/6/2025 2:00:00 PM

<b>Submitted By</b>	<b>Organization</b>	<b>Testifier Position</b>	<b>Testify</b>
Linda Hoaglund	Individual	Support	Written Testimony Only

Comments:

Access to guns in the home increases the risk of suicide by 300%.

Improperly storing guns can contribute to guns entering the illegal market.

Unlocked and loaded firearms in the home drastically jeopardize the safety of our keiki.

We need to legally ensure that guns are stored safely.

**HB-279**

Submitted on: 2/4/2025 10:25:20 AM

Testimony for JHA on 2/6/2025 2:00:00 PM

<b>Submitted By</b>	<b>Organization</b>	<b>Testifier Position</b>	<b>Testify</b>
David Ball	Individual	Support	Written Testimony Only

Comments:

To the members of the Committee,

Please support this common-sense gun legislation to ensure gun owners responsibly and safely secure their firearms. In a time of increasing gun violence, this bill will protect Hawaii families from needless tragedy.

With aloha,

David Ball, Waialae-Kahala

**HB-279**

Submitted on: 2/4/2025 10:25:34 AM

Testimony for JHA on 2/6/2025 2:00:00 PM

<b>Submitted By</b>	<b>Organization</b>	<b>Testifier Position</b>	<b>Testify</b>
kamakani de dely	Individual	Oppose	Written Testimony Only

Comments:

I oppose this bill !

**HB-279**

Submitted on: 2/4/2025 10:27:50 AM

Testimony for JHA on 2/6/2025 2:00:00 PM

<b>Submitted By</b>	<b>Organization</b>	<b>Testifier Position</b>	<b>Testify</b>
Mallory De Dely	Individual	Oppose	Written Testimony Only

Comments:

I oppose this bill !

**HB-279**

Submitted on: 2/4/2025 10:30:42 AM

Testimony for JHA on 2/6/2025 2:00:00 PM

<b>Submitted By</b>	<b>Organization</b>	<b>Testifier Position</b>	<b>Testify</b>
Susan Dedely	Individual	Oppose	Written Testimony Only

Comments:

I oppose this bill !

**HB-279**

Submitted on: 2/4/2025 10:32:35 AM

Testimony for JHA on 2/6/2025 2:00:00 PM

<b>Submitted By</b>	<b>Organization</b>	<b>Testifier Position</b>	<b>Testify</b>
David E Shormann	Individual	Oppose	Written Testimony Only

Comments:

This is just adding layers of ridiculous and hard to enforce laws to discourage law abiding citizens from defending their ohana. Why would you submit a bill like this? It's unrighteous. The life of the land is perpetuated in righteousness, so do the right thing and help law abiding citizens feel see and keep lawbreakers off the street.

**HB-279**

Submitted on: 2/4/2025 10:39:27 AM

Testimony for JHA on 2/6/2025 2:00:00 PM

<b>Submitted By</b>	<b>Organization</b>	<b>Testifier Position</b>	<b>Testify</b>
D Y	Individual	Oppose	Written Testimony Only

Comments:

Dear Madam and Sirs,

This letter is to ask you to not impose, to not diminish, to take away anymore of the people's freedoms. Protect the Constitution. Honor it. No more to striping away rights and new gun restriction proposals is exactly that. The rights of "We the people" weren't given by you and should not be restricted by you. We live in a state that is already one of the most strictest states in the nation regarding gun laws and ownership. Passing any more will not make any change, but turn many law abiding citizens into criminals. You'll have many overnight. Laws will not stop the acts of a madman. Assault is an action, it could be done with bats, sticks, knives, hammers, vehicles and even empty handed, I don't see you go after those. Inanimate objects are harmless without the intentions behind it. On the flip side they can be used for good. Tools to build, fix and repair, sport, family time and protection. Please don't go forward with ANY gun control measures, they will not stop violence, they will only harm law abiding citizens as myself. Whatever amends to terms you want to make will not do anything to criminals. Again, it'll only affect law abiding citizens. It's a slope this country is already sliding down. Let the people be who are - Americans. Free. Not your subjects.

Sincerely,

Daniel Yoro Sr.



**HB-279**

Submitted on: 2/4/2025 10:43:10 AM

Testimony for JHA on 2/6/2025 2:00:00 PM

<b>Submitted By</b>	<b>Organization</b>	<b>Testifier Position</b>	<b>Testify</b>
Keith Nakanishi	Individual	Oppose	Written Testimony Only

Comments:

I oppose. No documentation this would solve anything. Another example of government overreach. Trying to find solutions to problems that don't exist. Please stop with the harassment to legal gun owners.

**HB-279**

Submitted on: 2/4/2025 10:44:59 AM

Testimony for JHA on 2/6/2025 2:00:00 PM

<b>Submitted By</b>	<b>Organization</b>	<b>Testifier Position</b>	<b>Testify</b>
RICHARD HOLIBAUGH	Individual	Oppose	Written Testimony Only

Comments:

Hello, and thank you for reading my testimony. I urge you to oppose HB279. My concern is that citizens who legally own or possess "Firearm parts" which according to the bill "means any item that is specifically designed for or adapted for use in creating a firearm, including the barrel, bolt, slide, frame, receiver, trigger, hammer, firing pin, cylinder, magazine, or any other part necessary for a firearm to operate" may be subject to prosecution due to a misinterpretation of the law. The bill does have good merits, as current law provides a work around for criminals to carry parts and assemble a firearm when needed. I know from experience law enforcement is using USC 922 (g) which has resulted in several successful federal prosecutions. Thank you for your time.

**HB-279**

Submitted on: 2/4/2025 10:53:18 AM

Testimony for JHA on 2/6/2025 2:00:00 PM

<b>Submitted By</b>	<b>Organization</b>	<b>Testifier Position</b>	<b>Testify</b>
Carol Maxym	Individual	Support	Written Testimony Only

Comments:

Access to guns in the home increases the risk of suicide by 300%.

Improperly storing guns can contribute to guns entering the illegal market.

Unlocked and loaded firearms in the home drastically jeopardize the safety of our keiki.

**HB-279**

Submitted on: 2/4/2025 11:00:39 AM

Testimony for JHA on 2/6/2025 2:00:00 PM

<b>Submitted By</b>	<b>Organization</b>	<b>Testifier Position</b>	<b>Testify</b>
cheryl oncea	Individual	Support	Written Testimony Only

Comments:

Access to guns in the home increases the risk of suicide by 300%.

Improperly storing guns can contribute to guns entering the illegal market.

Unlocked and loaded firearms in the home drastically jeopardize the safety of our keiki. How can ANYBODY vote against safe storage of firearms??!!

**HB-279**

Submitted on: 2/4/2025 11:03:49 AM

Testimony for JHA on 2/6/2025 2:00:00 PM

<b>Submitted By</b>	<b>Organization</b>	<b>Testifier Position</b>	<b>Testify</b>
Ellen Carson	Individual	Support	Written Testimony Only

Comments:

I support this bill HB279. It is a logical component and extension of our state's existing efforts to prohibit ghost guns and assure safe storage of firearms, rather than permitting unlicensed firearms to be created and carried around our islands. Thank you for seeking to protect our residents from gun violence.

**HB-279**

Submitted on: 2/4/2025 11:06:16 AM

Testimony for JHA on 2/6/2025 2:00:00 PM

<b>Submitted By</b>	<b>Organization</b>	<b>Testifier Position</b>	<b>Testify</b>
Teresa Parsons	Individual	Support	Written Testimony Only

Comments:

Aloha Chair and committee members,

As a nurse and healthcare provider, I am alarmed at the escalation of firearms related crimes involving minors. When I moved to Hawai'i over 30 years ago, gun crimes were much less than today. The number of guns in homes is much higher and very few are properly stored (gun safes, trigger locks, etc...). Mixing this with the number of children at home alone after school and during breaks multiplies the risk of injuries.

I stand in strong support of this proposed legislation. Mahalo for allowing me to testify on this important issue.

**HB-279**

Submitted on: 2/4/2025 11:12:52 AM

Testimony for JHA on 2/6/2025 2:00:00 PM

<b>Submitted By</b>	<b>Organization</b>	<b>Testifier Position</b>	<b>Testify</b>
Linda White	Individual	Support	Written Testimony Only

Comments:

I am writing to express my full support for HB 279, to keep people safe and implement common sense regarding access to guns in the home, which increases the risk of suicide by 300%.

Improperly storing guns can contribute to guns entering the illegal market. Unlocked and loaded firearms in the home drastically jeopardize the safety of our keiki.

My best friend and her daughter, Kristine and Sandra Cass, were murdered by Clayborne Conely on August 20, 2011 in Honolulu (Makiki). Clayborne was on conditional release from the state hospital and was tragically able to access the improperly stored firearm of his son, who was named as his supervisor during his release. Had this gun been locked and stored properly, Kristine and Sandra would have a chance of being alive today.

Please support this important bill.

Sincerely,

Linda (Tsai) White

**HB-279**

Submitted on: 2/4/2025 11:28:08 AM

Testimony for JHA on 2/6/2025 2:00:00 PM

<b>Submitted By</b>	<b>Organization</b>	<b>Testifier Position</b>	<b>Testify</b>
Lynn Otaguro	Individual	Support	Written Testimony Only

Comments:

I support this bill to keep our communities safer.



**HB-279**

Submitted on: 2/4/2025 11:28:37 AM

Testimony for JHA on 2/6/2025 2:00:00 PM

<b>Submitted By</b>	<b>Organization</b>	<b>Testifier Position</b>	<b>Testify</b>
Karl "Buddy" Bohn	Individual	Oppose	Written Testimony Only

Comments:

HB 279,125, 892, 893 are all an over reach of the second ammendment and will only end up in expensive litigation. This political theater and grandstanding is exactly what everyone is sick and tired of hearing. Enforce the laws already on the books, dont criminalize law abiding citizens.

**HB-279**

Submitted on: 2/4/2025 11:30:09 AM

Testimony for JHA on 2/6/2025 2:00:00 PM

<b>Submitted By</b>	<b>Organization</b>	<b>Testifier Position</b>	<b>Testify</b>
lynne matusow	Individual	Support	Written Testimony Only

Comments:

This bill strengthens Hawaii's laws addressing safe storage of firearms. Improperly stored guns can contribute to guns entering the illegal market. It also jeopardizes the safety of all, especially our keiki.

**HB-279**

Submitted on: 2/4/2025 11:30:31 AM

Testimony for JHA on 2/6/2025 2:00:00 PM

<b>Submitted By</b>	<b>Organization</b>	<b>Testifier Position</b>	<b>Testify</b>
Byron R Graper	Individual	Support	Written Testimony Only

Comments:

Access to guns in the home increases the risk of suicide by 300%.

Improperly storing guns can contribute to guns entering the illegal market.

Unlocked and loaded firearms in the home drastically jeopardize the safety of our keiki.

**HB-279**

Submitted on: 2/4/2025 11:52:55 AM

Testimony for JHA on 2/6/2025 2:00:00 PM

<b>Submitted By</b>	<b>Organization</b>	<b>Testifier Position</b>	<b>Testify</b>
Vincent Tibbles	Individual	Oppose	Written Testimony Only

Comments:

This is absolutely ridiculous. Not a single other state has any unconstitutional restrictions like this. This violates the second amendment and impedes my rights to freely travel. Criminals do not follow laws so this would only hurt law abiding citizens. Gasoline is so expensive this would make it a financial burden to even exercise my right to buy and freely travel. This is an informgement and I will sue the state if it passes.

**HB-279**

Submitted on: 2/4/2025 12:04:52 PM

Testimony for JHA on 2/6/2025 2:00:00 PM

<b>Submitted By</b>	<b>Organization</b>	<b>Testifier Position</b>	<b>Testify</b>
Jordan Hall	Individual	Oppose	Written Testimony Only

Comments:

I oppose this bill.

**HB-279**

Submitted on: 2/4/2025 12:07:02 PM

Testimony for JHA on 2/6/2025 2:00:00 PM

<b>Submitted By</b>	<b>Organization</b>	<b>Testifier Position</b>	<b>Testify</b>
George Garcia	Individual	Oppose	Written Testimony Only

Comments:

I oppose HB279. Restricting or preventing maintenance to a firearm would cause a safety issue.

respectfully,

George Garcia

**HB-279**

Submitted on: 2/4/2025 12:08:43 PM

Testimony for JHA on 2/6/2025 2:00:00 PM

<b>Submitted By</b>	<b>Organization</b>	<b>Testifier Position</b>	<b>Testify</b>
sean	Individual	Oppose	Written Testimony Only

Comments:

I oppose this bill makes no sence

**HB-279**

Submitted on: 2/4/2025 12:13:13 PM

Testimony for JHA on 2/6/2025 2:00:00 PM

<b>Submitted By</b>	<b>Organization</b>	<b>Testifier Position</b>	<b>Testify</b>
Valerie Y O Kim	Individual	Support	Written Testimony Only

Comments:

**HB 279** - Access to guns in the home increases the risk of suicide by 300%.

Improperly storing guns can contribute to guns entering the illegal market.

Unlocked and loaded firearms in the home drastically jeopardize the safety of our keiki.



**HB-279**

Submitted on: 2/4/2025 12:30:21 PM

Testimony for JHA on 2/6/2025 2:00:00 PM

<b>Submitted By</b>	<b>Organization</b>	<b>Testifier Position</b>	<b>Testify</b>
Mary Smart	Individual	Oppose	Written Testimony Only

Comments:

Do no tpass HB279.

**HB-279**

Submitted on: 2/4/2025 12:58:42 PM

Testimony for JHA on 2/6/2025 2:00:00 PM

<b>Submitted By</b>	<b>Organization</b>	<b>Testifier Position</b>	<b>Testify</b>
Victor K. Ramos	Individual	Oppose	Written Testimony Only

Comments:

"Parts?" Really? I OPPOSE this bill.

**HB-279**

Submitted on: 2/4/2025 1:06:47 PM

Testimony for JHA on 2/6/2025 2:00:00 PM

<b>Submitted By</b>	<b>Organization</b>	<b>Testifier Position</b>	<b>Testify</b>
James Revells	Individual	Oppose	Written Testimony Only

Comments:

I oppose this measure on the grounds it's interfering with my 2nd Amendment rights.

**HB-279**

Submitted on: 2/4/2025 1:19:16 PM

Testimony for JHA on 2/6/2025 2:00:00 PM

<b>Submitted By</b>	<b>Organization</b>	<b>Testifier Position</b>	<b>Testify</b>
Gaye Chan	Individual	Support	Written Testimony Only

Comments:

Statistics find that access to guns in homes increases the risk of suicide by 300%. Improperly storing guns can contribute to guns entering the illegal market. Unlocked and loaded firearms in the home drastically jeopardize our safety, especially those of our children.

**HB-279**

Submitted on: 2/4/2025 1:20:43 PM

Testimony for JHA on 2/6/2025 2:00:00 PM

<b>Submitted By</b>	<b>Organization</b>	<b>Testifier Position</b>	<b>Testify</b>
Blanca Larson	Individual	Oppose	Written Testimony Only

Comments:

I oppose this bill.

**HB-279**

Submitted on: 2/4/2025 1:22:03 PM

Testimony for JHA on 2/6/2025 2:00:00 PM

<b>Submitted By</b>	<b>Organization</b>	<b>Testifier Position</b>	<b>Testify</b>
Erek Riccobuano	Individual	Oppose	Written Testimony Only

Comments:

The Second Amendment is absolute, guaranteeing the right of the people to keep and bear arms without infringement. Your proposed restrictions are not only unconstitutional, as they directly contravene this amendment, but they also only affect law-abiding citizens. The Hawaii legislature should not be focused on disarming those who respect the law, as this does nothing to address the real issues of crime and safety in our communities.

**HB-279**

Submitted on: 2/4/2025 1:29:21 PM

Testimony for JHA on 2/6/2025 2:00:00 PM

<b>Submitted By</b>	<b>Organization</b>	<b>Testifier Position</b>	<b>Testify</b>
Bradle Lindsey	Individual	Oppose	Written Testimony Only

Comments:

I am writing to express my opposition to House Bill 279, which seeks to regulate the carrying and possession of firearm parts in Hawaii. While I understand the intention behind this legislation, I believe it imposes unnecessary restrictions on law-abiding citizens and fails to address the root causes of gun violence in our state. This bill places undue burdens on responsible gun owners who need to transport firearm parts for legitimate purposes, such as repairs, training, and sporting events. The requirement to transport these parts only in an enclosed container and between specific locations is overly restrictive and does not consider the practical realities of firearm ownership. Additionally, the bill's definition of "firearm parts" is broad and could lead to confusion and unintended consequences. Law-abiding citizens could find themselves inadvertently violating the law due to the ambiguity in what constitutes a "firearm part."

Many firearm enthusiasts and hobbyists engage in activities such as building and customizing firearms as a form of lawful recreation. HB279 would severely limit their ability to pursue these interests, potentially stifling a legitimate and responsible community. The bill focuses on regulating the possession and transportation of firearm parts rather than addressing the underlying issues contributing to gun violence, such as mental health, socio-economic factors, and illegal firearm trafficking. Effective solutions should target these root causes rather than imposing additional restrictions on law-abiding citizens.

Instead of enacting HB279, I urge the legislature to consider alternative measures that focus on preventing illegal firearm activities and supporting community-based initiatives aimed at reducing gun violence. Efforts should be directed towards improving mental health services, enhancing community outreach programs, and strengthening law enforcement capabilities to combat illegal firearm trafficking.

In conclusion, I respectfully oppose HB279 and encourage you to consider more comprehensive and balanced approaches to addressing gun violence in our state. Thank you for considering my testimony.

**HB-279**

Submitted on: 2/4/2025 1:40:32 PM

Testimony for JHA on 2/6/2025 2:00:00 PM

<b>Submitted By</b>	<b>Organization</b>	<b>Testifier Position</b>	<b>Testify</b>
Raymond Higa	Individual	Oppose	Written Testimony Only

Comments:

I would like to oppose house bill 279 that restricts an individual from having firearm parts outside of their home or business.



**HB-279**

Submitted on: 2/4/2025 1:44:41 PM

Testimony for JHA on 2/6/2025 2:00:00 PM

<b>Submitted By</b>	<b>Organization</b>	<b>Testifier Position</b>	<b>Testify</b>
Cynthia Hoffman	Individual	Support	Written Testimony Only

Comments:

If firearms are in a home, they should be stored securely from anyone besides the legally registered owner.

**HB-279**

Submitted on: 2/4/2025 1:47:14 PM

Testimony for JHA on 2/6/2025 2:00:00 PM

<b>Submitted By</b>	<b>Organization</b>	<b>Testifier Position</b>	<b>Testify</b>
Sarah-Lyn Lokelani Jacobson	Individual	Oppose	Written Testimony Only

Comments:

Shall not be infringed!

**HB-279**

Submitted on: 2/4/2025 1:54:55 PM

Testimony for JHA on 2/6/2025 2:00:00 PM

<b>Submitted By</b>	<b>Organization</b>	<b>Testifier Position</b>	<b>Testify</b>
Rita Kama-Kimura	Individual	Oppose	Written Testimony Only

Comments:

... again in opposition!

**HB-279**

Submitted on: 2/4/2025 1:55:49 PM

Testimony for JHA on 2/6/2025 2:00:00 PM

<b>Submitted By</b>	<b>Organization</b>	<b>Testifier Position</b>	<b>Testify</b>
irene kloepfer	Individual	Support	Written Testimony Only

Comments:

Aloha. Please pass HB279 to protect the residents of Hawaii

**HB-279**

Submitted on: 2/4/2025 2:04:23 PM

Testimony for JHA on 2/6/2025 2:00:00 PM

<b>Submitted By</b>	<b>Organization</b>	<b>Testifier Position</b>	<b>Testify</b>
scott shimoda	Individual	Oppose	Written Testimony Only

Comments:

I oppose HB 279. Transportation of parts? 3 or more. parts guilty of a misdemeanor? This is not acceptable.

**HB-279**

Submitted on: 2/4/2025 2:10:52 PM

Testimony for JHA on 2/6/2025 2:00:00 PM

<b>Submitted By</b>	<b>Organization</b>	<b>Testifier Position</b>	<b>Testify</b>
Sean J deMello	Individual	Oppose	Written Testimony Only

Comments:

My name is Sean J DeMello and i am opposing bill HB279.

Firearm parts are not Firearms.

Seems like an attempt to turn law abiding citizens into felons.

thank you.

**HB-279**

Submitted on: 2/4/2025 2:18:38 PM

Testimony for JHA on 2/6/2025 2:00:00 PM

Submitted By	Organization	Testifier Position	Testify
Larry Duclayan	Individual	Oppose	Written Testimony Only

Comments:

**Testimony in Opposition to Hawaii House Bill HB279**

Aloha,

I am here to express my vehement opposition to House Bill HB279, a piece of legislation that I believe severely undermines the Second Amendment rights of Hawaii's citizens. This bill represents a direct assault on our constitutional freedoms, which are essential for self-defense, personal liberty, and maintaining a balance of power between the government and the citizenry.

**Constitutional Concerns:** The Second Amendment states, "the right of the people to keep and bear Arms, shall not be infringed." This right has been upheld by the U.S. Supreme Court in key decisions such as *District of Columbia v. Heller* (2008) and *McDonald v. Chicago* (2010), affirming that this amendment protects an individual's right to possess firearms for traditionally lawful purposes, including self-defense within the home.

HB279, by proposing further restrictions on gun ownership, such as mandatory registration of all firearms or additional licensing requirements beyond what is already in place, directly contravenes these constitutional protections. These measures do not enhance safety but rather serve to make exercising a fundamental right more cumbersome and less accessible for law-abiding citizens.

**Impact on Responsible Gun Owners:** This bill would place an undue burden on those who responsibly exercise their Second Amendment rights. The additional bureaucratic layers of registration and licensing not only infringe upon privacy but also potentially create a registry that could be misused or abused. Such registries have historically led to confiscation in other jurisdictions, a slippery slope towards further rights erosion.

Moreover, the right to bear arms is about more than just self-defense; it's about ensuring that citizens can protect themselves from tyranny, maintain personal security, and participate in activities like hunting or sport shooting. HB279 would chill these activities, reducing the freedom of individuals to engage in lawful pursuits.

**Legal Precedents and Judicial Review:** Recent legal trends, particularly in the Ninth Circuit with cases like *Young v. Hawaii* and *Teter v. Lopez*, have been moving towards affirming broader Second Amendment rights, even in states with historically stringent gun laws like

Hawaii. HB279 seems to ignore these judicial directions, setting up the state for potential legal challenges that could be both costly and ultimately fruitless.

**Public Safety Misconception:** Proponents of HB279 might argue for public safety, but there's little evidence to suggest that such stringent controls effectively deter crime or reduce gun violence. Instead, these laws often leave law-abiding citizens defenseless while doing nothing to stop criminals who, by definition, do not adhere to legal restrictions. True public safety comes from addressing crime's root causes, not from disarming those who follow the law.

**Conclusion:** House Bill HB279 is not only an assault on our constitutional rights but also a misguided policy that fails to address the actual challenges of public safety. I strongly urge the committee to reject this bill in favor of policies that respect Second Amendment rights while genuinely working towards safer communities through education, mental health support, and effective law enforcement.

Mahalo for your attention and consideration in this critical matter.

Sincerely,

Larry Duclayan



**HB-279**

Submitted on: 2/4/2025 3:17:03 PM

Testimony for JHA on 2/6/2025 2:00:00 PM

<b>Submitted By</b>	<b>Organization</b>	<b>Testifier Position</b>	<b>Testify</b>
Kent Kurihara	Individual	Oppose	Written Testimony Only

Comments:

ALoha,

This testimony is to OPPOSE HB279. The government has no more authority to regulate how a legal person possesses or transports legally owned items in this country, regardless of the nature of those items. If an item is illegal, then treat it as such, but if an item is legal to own, then the possessor has the rights to possess and transport it as well.

Kent Kurihara

**HB-279**

Submitted on: 2/4/2025 3:32:17 PM

Testimony for JHA on 2/6/2025 2:00:00 PM

<b>Submitted By</b>	<b>Organization</b>	<b>Testifier Position</b>	<b>Testify</b>
Gavin Lohmeier	Individual	Oppose	Written Testimony Only

Comments:

oppose this bill. firearm parts are not firearms. they are not dangerous, they are harmless

sincerely,

Gavin Lohmeier

**HB-279**

Submitted on: 2/4/2025 3:33:08 PM

Testimony for JHA on 2/6/2025 2:00:00 PM

<b>Submitted By</b>	<b>Organization</b>	<b>Testifier Position</b>	<b>Testify</b>
Christina Medley	Individual	Oppose	Written Testimony Only

Comments:

OPPOSE HB279

For law-abiding citizens with a permit to carry, there should not be restrictions. The need to carry protection, unregulated is needed now more than ever. 2A does NOT have limits "only to a range"

stop infringing on our 2A rights!

OPPOSE OPPOSE OPPOSE

**HB-279**

Submitted on: 2/4/2025 3:40:09 PM

Testimony for JHA on 2/6/2025 2:00:00 PM

<b>Submitted By</b>	<b>Organization</b>	<b>Testifier Position</b>	<b>Testify</b>
Michael alapai	Individual	Oppose	Written Testimony Only

Comments:

Oppose bill

**HB-279**

Submitted on: 2/4/2025 3:49:34 PM

Testimony for JHA on 2/6/2025 2:00:00 PM

<b>Submitted By</b>	<b>Organization</b>	<b>Testifier Position</b>	<b>Testify</b>
Nestor L Robles	Individual	Oppose	Written Testimony Only

Comments:

I oppose HB 279 because it is fundamentally flawed and unconstitutional.

**HB-279**

Submitted on: 2/4/2025 3:58:34 PM

Testimony for JHA on 2/6/2025 2:00:00 PM

<b>Submitted By</b>	<b>Organization</b>	<b>Testifier Position</b>	<b>Testify</b>
Ryan Arakawa	Individual	Oppose	Written Testimony Only

Comments:

I oppose this bill that requires firearm PARTS to be transported in an “enclosed container” - this is absurd

**HB-279**

Submitted on: 2/4/2025 4:02:32 PM

Testimony for JHA on 2/6/2025 2:00:00 PM

<b>Submitted By</b>	<b>Organization</b>	<b>Testifier Position</b>	<b>Testify</b>
Justin h	Individual	Oppose	Written Testimony Only

Comments:

We don't need more frivolous or unlawful laws.

**HB-279**

Submitted on: 2/4/2025 4:05:57 PM

Testimony for JHA on 2/6/2025 2:00:00 PM

Submitted By	Organization	Testifier Position	Testify
Tamara Mckay	Individual	Oppose	Remotely Via Zoom

Comments:

I am writing in **strong opposition** to **HB279**, which seeks to **limit where firearm parts can be carried or possessed** and **increase penalties for possession outside of narrowly defined locations**. This bill is yet another **unconstitutional infringement on Second Amendment rights** and imposes unreasonable restrictions on law-abiding gun owners while doing nothing to reduce crime.

**HB279 Criminalizes Responsible Gun Owners**

This bill does not target criminals but **instead places unnecessary burdens on lawful gun owners** who possess or transport firearm parts. **Restricting the movement of firearm components** serves no legitimate public safety purpose and only makes compliance with the law more difficult.

- **Gun owners frequently transport firearm parts** for maintenance, repair, customization, and legal home-building projects. Restricting where they can carry these parts creates an undue burden.
- **There is no justifiable reason to criminalize the possession of firearm components.** Firearm parts by themselves are not weapons and are legally sold and owned across the country.
- **This bill increases penalties on responsible citizens,** while doing nothing to deter criminals who already ignore firearm laws.

**HB279 is an Overreach of Government Power**

Under the **Second Amendment**, the right to **keep and bear arms** includes the right to possess, maintain, and transport firearms and their components **without unnecessary government interference**.

- **This bill places excessive restrictions on lawful gun owners** while failing to address the root causes of gun-related crime.
- **There is no historical or constitutional precedent for limiting where firearm parts can be possessed.** The Supreme Court’s ruling in **New York State Rifle & Pistol Association v. Bruen** makes it clear that such broad restrictions are unconstitutional.



## **HB279 Does Not Address Crime or Public Safety**

If the goal of this legislation is to reduce violent crime, it is **misguided and ineffective**. Criminals **do not** follow gun laws, and restricting the possession of **firearm parts** will not prevent crime.

- **Instead of targeting law-abiding citizens, legislators should focus on enforcing existing laws against illegal gun possession and violent crime.**
- **There is no evidence that restricting the transportation of firearm components will have any effect on crime rates.**

## **Real Solutions Focus on Criminals, Not Law-Abiding Citizens**

Rather than imposing more **ineffective gun control measures**, Hawaii's lawmakers should be focusing on:

1. **Tougher penalties for repeat violent offenders** who commit crimes with firearms.
2. **Cracking down on illegal gun trafficking** rather than burdening legal gun owners.
3. **Supporting responsible gun ownership and training** rather than restricting lawful possession.

## **HB279 is an Unjustified Restriction – Vote NO**

This bill is **an unconstitutional overreach**, a burden on law-abiding citizens, and an ineffective solution to gun violence. **It punishes responsible gun owners instead of criminals.**

I urge you to **oppose HB279** and stand up for the rights of Hawaii's citizens. **Vote NO on HB279.**

**HB-279**

Submitted on: 2/4/2025 4:13:26 PM

Testimony for JHA on 2/6/2025 2:00:00 PM

<b>Submitted By</b>	<b>Organization</b>	<b>Testifier Position</b>	<b>Testify</b>
Chanara Casey Richmond	Individual	Oppose	Written Testimony Only

Comments:

I oppose this bill. Please support the constitutional rights of your constituents and vote NO. mahalo. Chanara Richmond HD42

**HB-279**

Submitted on: 2/4/2025 4:59:17 PM

Testimony for JHA on 2/6/2025 2:00:00 PM

<b>Submitted By</b>	<b>Organization</b>	<b>Testifier Position</b>	<b>Testify</b>
Paul Weissman	Individual	Support	Written Testimony Only

Comments:

Access to guns in the home increases risk of suicide by 300%.

Improperly storing guns can contribute to guns entering the illegal market.

Unlocked and loaded firearms in the home drastically jeopardize the safety of our keiki.

Aloha,

I am providing written testimony in **opposition** to HB279.

The entirety of Section I in this proposed bill demonstrates why it is not needed and will only target law-abiding citizens. Excerpts from Section I below:

“Individuals who illegally carry firearms...”

“...individuals who illegally carry firearms throughout the State... are also committing a significant number of other crimes...”

“...those seventy-two individuals arrested for "place to keep" accounted for an additional two hundred nineteen felony arrests and one hundred ninety-five misdemeanor arrests.”

“These teens and young adults are not of age to legally possess a firearm...”

Every single example provided in Section I highlights individuals disregarding existing law. Not just firearms laws, laws in general as demonstrated by criminal record, other arrests, or commission of additional crimes. Seems the prudent and blatantly obvious solution is to enforce existing law and hold criminals accountable for ALL existing laws.

If a criminal is stopped with firearms parts that could be assembled into a complete firearm that means they have either a frame, receiver, or fire control group on them. Any of those parts, by law, requires a serial number, be registered to the individual (which would have required a background check and multiple trips to the police station), and require a CCW license to be carried in public (where allowed). Multiple existing laws broken and one more would not stop a criminal.

All HB279 does is encumber law-abiding citizens with additional restrictions for even a single miniscule part. A simple firing pin, which is close in size to a toothpick, must now be secured in an enclosed container and only transported to and from places a complete firearm is allowed. Utter nonsense.

Mahalo.

**HB-279**

Submitted on: 2/4/2025 5:15:13 PM

Testimony for JHA on 2/6/2025 2:00:00 PM

<b>Submitted By</b>	<b>Organization</b>	<b>Testifier Position</b>	<b>Testify</b>
gary post	Individual	Oppose	Written Testimony Only

Comments:

This bill is just stupid. Oppose it.

**HB-279**

Submitted on: 2/4/2025 5:30:15 PM

Testimony for JHA on 2/6/2025 2:00:00 PM

<b>Submitted By</b>	<b>Organization</b>	<b>Testifier Position</b>	<b>Testify</b>
Jeffrey King	Individual	Oppose	Written Testimony Only

Comments:

Just another infringement (on an already endless list of previous infringements) on our god given and constitutionally protected 2nd amendment rights by needlessly making it more difficult for law abiding citizens to exercise their right while making them criminals without committing a crime. Legislators need to stop writing and pushing unconstitutional bills. Those who do should be considered unfit for their positions and grounds for their removal.

**HB-279**

Submitted on: 2/4/2025 5:31:02 PM

Testimony for JHA on 2/6/2025 2:00:00 PM

Submitted By	Organization	Testifier Position	Testify
Teina Anthony	Individual	Oppose	Written Testimony Only

Comments:

**o Whom It May Concern:**

I come before you today to address a matter of great importance: the continued overreach of the government in restricting the Second Amendment rights of law-abiding citizens. The right to keep and bear arms is not merely a privilege granted by the government but a fundamental right enshrined in the Constitution. Recent legislative efforts and regulatory overreach threaten the very core of this right, infringing upon the freedoms of responsible gun owners across the country.

The Second Amendment states unequivocally that "the right of the people to keep and bear Arms, shall not be infringed." Despite this clear and unambiguous language, we have seen an increasing number of laws and regulations that seek to chip away at this fundamental liberty. From so-called "assault weapons" bans to red flag laws that strip individuals of their rights without due process, the erosion of our constitutional freedoms has reached an alarming level.

One of the most concerning aspects of this overreach is the implementation of sweeping firearm restrictions that do little to prevent crime but disproportionately burden law-abiding citizens. Restrictive background checks, arbitrary limitations on magazine capacities, and bans on commonly owned firearms serve not to enhance public safety, but to criminalize responsible gun ownership. These measures ignore the reality that criminals, by definition, do not abide by the law, while law-abiding citizens are forced to navigate an increasingly complex web of restrictions simply to exercise their constitutional rights.

Moreover, the push for so-called "universal background checks" and national gun registries raises significant concerns regarding government surveillance and control. The ability of a government to track and regulate firearm ownership to such an extent poses a direct threat to individual liberties and has historically been a precursor to broader disarmament efforts. The American people must remain vigilant against such encroachments, lest we surrender our rights under the guise of safety and security.

Additionally, red flag laws, while often presented as a means of preventing violence, lack essential due process protections and create a dangerous precedent where individuals can lose their Second Amendment rights based on mere allegations rather than concrete evidence or legal conviction. These laws not only violate constitutional rights but also open the door for potential

abuse, wherein personal grievances or political motivations could be weaponized against lawful gun owners.

Another crucial area of concern is the government's overreach in regulating concealed carry and firearm transportation. While many states have enacted constitutional carry laws, others continue to impose severe restrictions on an individual's ability to protect themselves outside of their home. The right to carry a concealed firearm for self-defense should not be subject to arbitrary permit requirements, excessive fees, or bureaucratic hurdles that disproportionately impact law-abiding citizens. Similarly, regulations on firearm transportation often create confusion and unnecessary legal risks for responsible gun owners simply trying to comply with the law while traveling across state lines. These restrictions do not target criminals but instead entrap honest citizens in a legal maze that threatens their rights and freedoms.

We must also recognize the broader implications of government overreach in this area. The Second Amendment was designed not only as a means of self-defense but as a safeguard against tyranny. An armed populace is a crucial check on governmental power, ensuring that citizens retain the ability to defend their freedoms against any form of oppression. Any attempt to undermine this fundamental right is an affront to the very principles upon which our nation was founded.

It is imperative that we, as a people, stand firm against efforts to erode the Second Amendment. We must advocate for legislation that upholds the Constitution, preserves individual rights, and ensures that law-abiding citizens are not unduly burdened by government overreach. The focus should be on enforcing existing laws against violent criminals rather than imposing further restrictions on those who pose no threat to public safety.

In closing, I urge our elected officials and fellow citizens to reject any measures that infringe upon our right to keep and bear arms. The preservation of this fundamental liberty is essential not only to our personal security but to the very fabric of our democracy. We must remain vigilant and steadfast in our defense of the Second Amendment, ensuring that future generations inherit the freedoms that we hold dear today.

TRA



**HB-279**

Submitted on: 2/4/2025 5:33:32 PM

Testimony for JHA on 2/6/2025 2:00:00 PM

<b>Submitted By</b>	<b>Organization</b>	<b>Testifier Position</b>	<b>Testify</b>
Brett Kulbis	Individual	Oppose	Written Testimony Only

Comments:

Chair Tarnas and Committee Members,

My name is Brett Kulbis, I'm a 26yr Navy Veteran and Retired Civil Servant. I live in Ewa Beach.

I STRONGLY OPPOSE HB-279.

This bill restricts an individual from having firearm parts outside of their home or business and only allows transport of firearm parts to specific locations such as an FFL for repair, a gun range, or for a "formal hunter or firearm use" instruction. HB 279 further requires firearm parts to be transported in an "enclosed container", and any violation will be a criminal offense.

Respectfully, I STRONGLY encourage you to vote YES on HB-279.

**HB-279**

Submitted on: 2/4/2025 5:53:11 PM

Testimony for JHA on 2/6/2025 2:00:00 PM

<b>Submitted By</b>	<b>Organization</b>	<b>Testifier Position</b>	<b>Testify</b>
Gary Kastle	Individual	Oppose	Written Testimony Only

Comments:

I oppose this bill

**HB-279**

Submitted on: 2/4/2025 6:05:08 PM

Testimony for JHA on 2/6/2025 2:00:00 PM

<b>Submitted By</b>	<b>Organization</b>	<b>Testifier Position</b>	<b>Testify</b>
Iric Viscarra	Individual	Oppose	Written Testimony Only

Comments:

I strongly oppose Hb 279.

**HB-279**

Submitted on: 2/4/2025 6:05:11 PM

Testimony for JHA on 2/6/2025 2:00:00 PM

<b>Submitted By</b>	<b>Organization</b>	<b>Testifier Position</b>	<b>Testify</b>
TERI SAVAIINAEA	Individual	Oppose	Written Testimony Only

Comments:

Aloha Chair Tarnas and Committee Members,

I oppose HB279.

Kind regards,

Teri Kia Savaiinaea

District 45, Wai'anae Resident

**HB-279**

Submitted on: 2/4/2025 6:06:17 PM

Testimony for JHA on 2/6/2025 2:00:00 PM

<b>Submitted By</b>	<b>Organization</b>	<b>Testifier Position</b>	<b>Testify</b>
William R Smith	Individual	Oppose	Written Testimony Only

Comments:

I am in opposition to HB279.

This bill restricts an individual from having firearm parts outside of their home or business. It only allows transport of firearm parts to specific locations such as an FFL for repair, a gun range, or for a “formal hunter or firearm use” instruction. HB 279 further requires firearm parts to be transported in an “enclosed container,” and any violation will be a criminal offense. I don't want to restrict the transportation of various firearm parts like sites, scopes, or other standard parts or accessories to firearms.

Thanks for allowing me to submit testimony in opposition to this bill.

**HB-279**

Submitted on: 2/4/2025 6:11:01 PM

Testimony for JHA on 2/6/2025 2:00:00 PM

<b>Submitted By</b>	<b>Organization</b>	<b>Testifier Position</b>	<b>Testify</b>
Kehaunani Andrade	Individual	Oppose	Written Testimony Only

Comments:

I AM AGAINST/OPPOSE THIS BILL A IT IS AGAINST MY CONSTITUTIONAL RIGHT AS AN AMERICAN CITIZEN! TO LIMIT ANY AMERICAN THAT HAVE THE RIGHT TO CARRY IS JUST RIDICULOUS! KEEP THE CRIMINALS, THAT CHOOSE TO USE GUNS TO KILL PEOPLE JUST BECAUSE, BEHIND BARS LONGER. THESE ARE THE ONES THAT CONTINUE TO COMMIT CRIMES OVER AND OVER!

**HB-279**

Submitted on: 2/4/2025 6:16:44 PM

Testimony for JHA on 2/6/2025 2:00:00 PM

<b>Submitted By</b>	<b>Organization</b>	<b>Testifier Position</b>	<b>Testify</b>
Patricia Alexa King-Foley	Individual	Oppose	Written Testimony Only

Comments:

I am in opposition to this Bill which will punish law-abiding citizens for transporting parts of guns.

**HB-279**

Submitted on: 2/4/2025 6:39:06 PM

Testimony for JHA on 2/6/2025 2:00:00 PM

<b>Submitted By</b>	<b>Organization</b>	<b>Testifier Position</b>	<b>Testify</b>
Lora Santiago	Individual	Oppose	Written Testimony Only

Comments:

I strongly OPPOSE HB279.



**HB-279**

Submitted on: 2/4/2025 6:56:04 PM

Testimony for JHA on 2/6/2025 2:00:00 PM

<b>Submitted By</b>	<b>Organization</b>	<b>Testifier Position</b>	<b>Testify</b>
james wallace	Individual	Oppose	Written Testimony Only

Comments:

I oppose HB279 because this one is a very stupid bill.This is just a dumb bill that says dont own a gun,if you do only here or there.Thats owners legal possession so he can carry anywhere he wants.This looks like they want to change hawaii into china.

**HB-279**

Submitted on: 2/4/2025 7:02:28 PM

Testimony for JHA on 2/6/2025 2:00:00 PM

<b>Submitted By</b>	<b>Organization</b>	<b>Testifier Position</b>	<b>Testify</b>
Steven Fukuhara	Individual	Oppose	Written Testimony Only

Comments:

I strongly oppose ths bill!

Please dont let this bill pass!

**HB-279**

Submitted on: 2/4/2025 7:33:58 PM

Testimony for JHA on 2/6/2025 2:00:00 PM

<b>Submitted By</b>	<b>Organization</b>	<b>Testifier Position</b>	<b>Testify</b>
James K. Rzonca	Individual	Oppose	Written Testimony Only

Comments:

I oppose this bill. My 2nd amendment rights "Shall not be infringed"

**HB-279**

Submitted on: 2/4/2025 7:52:13 PM

Testimony for JHA on 2/6/2025 2:00:00 PM

<b>Submitted By</b>	<b>Organization</b>	<b>Testifier Position</b>	<b>Testify</b>
Jacob Rathje	Individual	Oppose	Written Testimony Only

Comments:

I pray they understand how unconstitutional and wrong these bills are. They would make a criminal for simply owning what I own It's such a joke and wouldn't prevent any crimes, yet would do the opposite. It would make criminals out of law abiding citizens.

**HB-279**

Submitted on: 2/4/2025 7:56:24 PM

Testimony for JHA on 2/6/2025 2:00:00 PM

<b>Submitted By</b>	<b>Organization</b>	<b>Testifier Position</b>	<b>Testify</b>
Ian Silva	Individual	Oppose	Written Testimony Only

Comments:

I strongly oppose bill HB279

**HB-279**

Submitted on: 2/4/2025 7:59:35 PM

Testimony for JHA on 2/6/2025 2:00:00 PM

<b>Submitted By</b>	<b>Organization</b>	<b>Testifier Position</b>	<b>Testify</b>
Julie A Carter	Individual	Oppose	Written Testimony Only

Comments:

Opposed

**HB-279**

Submitted on: 2/4/2025 8:06:22 PM

Testimony for JHA on 2/6/2025 2:00:00 PM

<b>Submitted By</b>	<b>Organization</b>	<b>Testifier Position</b>	<b>Testify</b>
Justin Arnold	Individual	Oppose	Written Testimony Only

Comments:

I can not oppose this any more vehemently. This is an egregious overstep of my constitutional rights. The 2nd amendment is quite clear and the Heller and Bruen decisions were crystal clear for those who lack the intelligence (like those who submitted this bill) to understand it.

Furthermore, STOP wasting MY tax payers dollars on legislation that your constituents oppose. WE WILL make note of these individuals and democracy will prevail as you will be relieved of your duties that you so quickly neglect. YOU swore an oath to serve the people, your constituents, and uphold the CONSTITUTION of the UNITED STATES. Continue to be direct in your duties and you will be dealt with accordingly. Historically, they had a specific punishment for traitors. You've been informed.

Aloha

**HB-279**

Submitted on: 2/4/2025 8:11:03 PM

Testimony for JHA on 2/6/2025 2:00:00 PM

<b>Submitted By</b>	<b>Organization</b>	<b>Testifier Position</b>	<b>Testify</b>
Tenessa Cavitt	Individual	Oppose	Written Testimony Only

Comments:

I am writing testimony today in opposition of HB279. This bill is confusing to me. I like to think I am logical and educated and would hope those voting on bills to become laws would be at least the same. I have a question for you all. What harm will this bill prevent in our communities? You cannot use a single part listed in this bill to cause harm to another person without a firearm. If using a firearm in a crime is illegal, then how would having the parts separate from the firearm prevent said crime or harm? These parts are easily purchased online and are not regulated because they are inanimate objects that cannot cause harm without a firearm. I do believe this bill can harm many though and it's not the criminals the authors of the bill likely would claim to want to stop. Those that would be harmed by this bill will be men like my husband, or me if I were to grab the wrong backpack when leaving the house, or your neighbor or co worker or anyone else who owns firearm accessories and parts and are not using them in criminal activities. Simply having a part in the vehicle would not make crimes easier or more accessible for criminals to pursue. This bill is illogical and is an assault bill designed to harm law abiding gun owners and take away more of their rights. I believe bills like this are designed to in fact remove the right to firearm ownership of currently law abiding citizens by making it easier for them to break the law and lose their right to own or possess firearms in the future. Even my 7 year old could understand that this wouldn't do any good and he asked why people would be so mean to do that. My husband and I explained that they simply do not know the consequences of their actions and they want the same thing as we do, to live safely in our community. I hope this is the truth and that you all will see the unintended consequences of this bill and choose to oppose this bill. Please vote No on HB279.

A Concerned Wife and Mother,

Tenessa Cavitt



**HB-279**

Submitted on: 2/4/2025 8:18:49 PM

Testimony for JHA on 2/6/2025 2:00:00 PM

<b>Submitted By</b>	<b>Organization</b>	<b>Testifier Position</b>	<b>Testify</b>
Eric Kaneshiro	Individual	Oppose	Written Testimony Only

Comments:

House Bill 279 restricts an individual from having firearm parts outside of their home or business and only allows transport of firearm parts to specific locations such as an FFL for repair, a gun range, or for a “formal hunter or firearm use” instruction. HB 279 further requires firearm parts to be transported in an “enclosed container”, and any violation will be a criminal offense.

**HB-279**

Submitted on: 2/4/2025 8:27:40 PM

Testimony for JHA on 2/6/2025 2:00:00 PM

<b>Submitted By</b>	<b>Organization</b>	<b>Testifier Position</b>	<b>Testify</b>
Rita Wong	Individual	Oppose	Written Testimony Only

Comments:

I Oppose HB279

**HB-279**

Submitted on: 2/4/2025 8:39:37 PM

Testimony for JHA on 2/6/2025 2:00:00 PM

<b>Submitted By</b>	<b>Organization</b>	<b>Testifier Position</b>	<b>Testify</b>
Keleb I. Paglinawan	Individual	Oppose	Written Testimony Only

Comments:

I'm opposed to HB279

**HB-279**

Submitted on: 2/4/2025 8:40:10 PM

Testimony for JHA on 2/6/2025 2:00:00 PM

<b>Submitted By</b>	<b>Organization</b>	<b>Testifier Position</b>	<b>Testify</b>
Bart Burford	Individual	Oppose	Written Testimony Only

Comments:

I oppose any deviation from, or addendum to the second amendment!

**HB-279**

Submitted on: 2/4/2025 9:25:46 PM

Testimony for JHA on 2/6/2025 2:00:00 PM

<b>Submitted By</b>	<b>Organization</b>	<b>Testifier Position</b>	<b>Testify</b>
Jon Abbott	Individual	Oppose	Written Testimony Only

Comments:

I urge you to vote NO on HB279. It is a terrible bill that will criminalize lawful gunowners for possessing lawfully purchased parts used in firearms but NOT considered a firearm under federal law. The deifinition of a "Firearm Part" is so broad it will result in the malicious prosection of lawful gunowners - making them FELONS under the law.

I urge you to Vote NO on HB279.

**HB-279**

Submitted on: 2/4/2025 9:29:41 PM

Testimony for JHA on 2/6/2025 2:00:00 PM

<b>Submitted By</b>	<b>Organization</b>	<b>Testifier Position</b>	<b>Testify</b>
David Ruiz	Individual	Oppose	Written Testimony Only

Comments:

Stop infringing on our Second Amendment Rights!

**HB-279**

Submitted on: 2/4/2025 10:51:54 PM

Testimony for JHA on 2/6/2025 2:00:00 PM

<b>Submitted By</b>	<b>Organization</b>	<b>Testifier Position</b>	<b>Testify</b>
Charlene Mersburgh	Individual	Oppose	Written Testimony Only

Comments:

I oppose HB279

**HB-279**

Submitted on: 2/4/2025 11:18:54 PM

Testimony for JHA on 2/6/2025 2:00:00 PM

<b>Submitted By</b>	<b>Organization</b>	<b>Testifier Position</b>	<b>Testify</b>
Daniel Mersburgh	Individual	Oppose	Written Testimony Only

Comments:

There are many legitimate reasons a law abiding citizen may need to lawfully transport their legal firearm to a place other than for hunting or to a firing range.



Representative David A. Tarnas, Chair  
Representative Mahina Poepoe, Vice Chair  
Committee on Judiciary and Hawaiian Affairs (JHA)  
Hearing: Thursday, February 06, 2025, at 2:00 p.m.  
Regarding: **HB279 (Relating to Firearms)**  
**Voter Position: OPPOSITION**

Representatives of the JHA Committee,

I express my **opposition** to **HB279 (Relating to Firearms)**.

### **Irrational Overall Premise**

**HB279** relies almost exclusively on a made-up conjecture that anyone in possession of gun parts has an intent to assemble an operational firearm for use in some criminal activity. It's almost as rational as arguing that a tire warehouse owner is secretly conspiring to assemble a rogue, unregulated and unlicensed vehicle since tires can be affixed to such vehicle. Every tenant of **HB279** essentially portrays every firearm owner in some unwarranted criminal light and accordingly, the measure should not see the light of day.

### **Inequitable Penalties**

**HB279** contains malicious provisions to punish (via probation) and possibly incarcerate anyone transporting spare gun parts to any location that's not delineated within the measure. All **HB279** strives to do is to penalize anyone who desires to keep their lawfully acquired firearm operational. **HB279** additionally imposes a coercive travel cost to overall firearm ownership since anyone with gun parts will be forced to go to a specific destination to store their property before travelling anywhere else in the state.

### **Do Better**

The inexplicable desire to incarcerate anyone who wishes to freely transport non-operational gun parts via **HB279** simply defies the constraints of reasonableness. If ghost guns and so-called gun violence is a priority of the Legislator, then the Legislator must focus its efforts on enabling authorized authorities, such as law enforcement, to stop criminals that commit actual acts of violence. No firearm part transport law is going to change this dimension of public safety.

Thank you for taking the time to review this testimony.

Respectfully,

Ryan C. Tinajero

Constituent of **House District 48**

**HB-279**

Submitted on: 2/5/2025 1:12:04 AM

Testimony for JHA on 2/6/2025 2:00:00 PM

<b>Submitted By</b>	<b>Organization</b>	<b>Testifier Position</b>	<b>Testify</b>
Daniel Oshima	Individual	Oppose	Written Testimony Only

Comments:

This proposal for restrictions involving firearm parts is vague and unspecific (it does not clarify or specify if a part or parts include serialized frame or receiver of a firearm) which will cause multitudes of wayward interpretations; improperly and unfairly penalizing individuals who have no intention of disobeying such generalized text of HB279. Please oppose this bill.

**HB-279**

Submitted on: 2/5/2025 4:05:04 AM

Testimony for JHA on 2/6/2025 2:00:00 PM

<b>Submitted By</b>	<b>Organization</b>	<b>Testifier Position</b>	<b>Testify</b>
Atom Kasprzycki	Individual	Oppose	Written Testimony Only

Comments:

This bill is unconstitutional, violates precedent set in past Supreme Court rulings including *Caetano*, *Heller*, and *Bruen*, and would unfairly infringe upon the rights of Americans. Representatives who support this bill are not representing the people of Hawaii but rather the agendas of anti-gun, anti-American-values national organizations such as Everytown Et al. Each new year we the people have to fight to protect our second amendment rights here in Hawaii as representatives like the ones who have introduced this bill seek to restrict and infringe upon those rights. These actions are not going unnoticed. We must vote to replace those representative who place the interests of anti-gun national organizations over the rights of the people.

**HB-279**

Submitted on: 2/5/2025 5:53:25 AM

Testimony for JHA on 2/6/2025 2:00:00 PM

<b>Submitted By</b>	<b>Organization</b>	<b>Testifier Position</b>	<b>Testify</b>
Joshua Drye	Individual	Oppose	Written Testimony Only

Comments:

Aloha and thank you for your time I very highly oppose of this bill HB279. It is extremely harsh and violates our second amendment rights please cancel these bills thank you

**HB-279**

Submitted on: 2/5/2025 5:59:07 AM

Testimony for JHA on 2/6/2025 2:00:00 PM

<b>Submitted By</b>	<b>Organization</b>	<b>Testifier Position</b>	<b>Testify</b>
Dr Marion Ceruti	Individual	Oppose	Written Testimony Only

Comments:

I strongly oppose HB279 because it is absurd, unconstitutional, and it puts an undue burden on law enforcement.

It needlessly restricts an individual from having firearm parts outside of their home or business and permits transport of firearm parts only to specific locations such as an FFL for repair, a gun range, or for a “formal hunter or firearm use” instruction. HB279 further requires firearm parts to be transported in an “enclosed container,” and any violation will be a criminal offense. It treats firearm parts as though they were firearms themselves, which is illogical, too restrictive and fails the common-usage test of constitutionality.

The term, "firearm part," is vague and a ill defined. What about some parts that could be used for other purposes, such as screws and springs? The constitution prohibits vague laws, which can be interpreted in the harshest manner possible. It’s time to get rid of HB279 before any more time and energy is wasted on this preposterous bill. Vote NO on HB279.

**HB-279**

Submitted on: 2/5/2025 6:13:03 AM

Testimony for JHA on 2/6/2025 2:00:00 PM

<b>Submitted By</b>	<b>Organization</b>	<b>Testifier Position</b>	<b>Testify</b>
Ka'eo Ortiz	Individual	Oppose	Written Testimony Only

Comments:

This is a dirrect violation of our 2nd ammendment rights!

**HB-279**

Submitted on: 2/5/2025 7:13:59 AM

Testimony for JHA on 2/6/2025 2:00:00 PM

<b>Submitted By</b>	<b>Organization</b>	<b>Testifier Position</b>	<b>Testify</b>
Sam Cavitt	Individual	Oppose	Written Testimony Only

Comments:

Aloha Hawaii State Lawmakers,

I am writing in opposition of HB 279 and urge you to oppose this bill as well. I am a law-abiding citizen of The United States of America and Hawaii, a taxpayer, registered voter, a husband, father, grandfather and also an owner of legal firearms. I own them because I admire the technology and enjoy using them at firing ranges and hunting. I also own them to exercise my right as a US Citizen and Hawaii Citizen per the Constitutions of The USA and the State of Hawaii. I am a constituent of yours and by denying me these rights you are misrepresenting me. interestingly enough, as I have spoken to many who share my opinion of these basic rights, many are in the dark about what our state legislation is doing in denying our rights. As such, I would expect a groundswell of outcry against this law, if it passes. That will result in legal action, likely to the Supreme Court, and much cost and greater division in our country. It may also result in law abiding citizens breaking the law unintentionally. People who do no harm to others, being harmed by this law. These things would be detrimental to us all.

It poses the question of why this bill is being considered. Some will say to make us safer. I disagree. The problem is not an inanimate object. It is our society that has fostered desperate individuals or enemies of our country who enter illegally with mal intent. This bill will make it illegal for law abiding citizens to own safe and effective firearms for hobby, hunting or defensive use but will do nothing to stop the proliferation of illegal firearm possession. Indeed, this bill will render those of us who desire to follow the law, defenseless against those who would possess them illegally!

This bill is not founded on fact and reason but rather fear and myth. Please step back from the brink and let's work together as Americans and Hawaiians to heal our society and maintain the basic rights that our respective constitutions guarantee. Vote no on SB 3196!

Thank You!

Aloha,

Sam Cavitt

Kihei, HI





**HB-279**

Submitted on: 2/5/2025 7:14:50 AM

Testimony for JHA on 2/6/2025 2:00:00 PM

<b>Submitted By</b>	<b>Organization</b>	<b>Testifier Position</b>	<b>Testify</b>
steven a kumasaka	Individual	Oppose	Written Testimony Only

Comments:

STRONGLY oppose this government overreach!

**HB-279**

Submitted on: 2/5/2025 7:25:47 AM

Testimony for JHA on 2/6/2025 2:00:00 PM

<b>Submitted By</b>	<b>Organization</b>	<b>Testifier Position</b>	<b>Testify</b>
Kenneth Pascarelli	Individual	Oppose	Written Testimony Only

Comments:

Oppose this please as it is another bill going against our second amendment and turning law abiding citizens into getting criminal offenses and/or penalties

**HB-279**

Submitted on: 2/5/2025 7:27:02 AM

Testimony for JHA on 2/6/2025 2:00:00 PM

<b>Submitted By</b>	<b>Organization</b>	<b>Testifier Position</b>	<b>Testify</b>
Christopher Gouveia	Individual	Oppose	Written Testimony Only

Comments:

I oppose this bill.

**HB-279**

Submitted on: 2/5/2025 7:40:14 AM

Testimony for JHA on 2/6/2025 2:00:00 PM

<b>Submitted By</b>	<b>Organization</b>	<b>Testifier Position</b>	<b>Testify</b>
Creighton Phillips	Individual	Oppose	Written Testimony Only

Comments:

Limiting the transfer of firearms parts is such a broad use of words that it would be nigh impossible to enforce. If I had a screw related to a firearm does that count? I think it's irresponsible and downright ridiculous that this bill was even presented for hearing. To make carrying a screw, or even something like a flashlight a felony charge is tyrannical at its finest.

**HB-279**

Submitted on: 2/5/2025 8:21:46 AM

Testimony for JHA on 2/6/2025 2:00:00 PM

<b>Submitted By</b>	<b>Organization</b>	<b>Testifier Position</b>	<b>Testify</b>
Brian Cabreira	Individual	Oppose	Written Testimony Only

Comments: OPPOSE Over reaching and unconstitutional waste of time and money. Only hurts law abiding citizens, doesn't stop criminals.

**HB-279**

Submitted on: 2/5/2025 8:53:37 AM

Testimony for JHA on 2/6/2025 2:00:00 PM

<b>Submitted By</b>	<b>Organization</b>	<b>Testifier Position</b>	<b>Testify</b>
Elijah Kim	Individual	Oppose	Written Testimony Only

Comments:

This violates the 2nd amendment to our Constitution! Stop infringing on our rights to bear arms. Gun control does work and should even be in existence. Instead, you should spend time, resources, and energy to educate and train your citizens. Not take away the rights or make it more difficult to be a law-abiding citizen.

**HB-279**

Submitted on: 2/5/2025 9:01:45 AM

Testimony for JHA on 2/6/2025 2:00:00 PM

<b>Submitted By</b>	<b>Organization</b>	<b>Testifier Position</b>	<b>Testify</b>
Brent Uemae	Individual	Oppose	Written Testimony Only

Comments:

I am opposed to this bill. This bill could penalize someone for possessing simple items such as springs and pins under "any other part necessary for a firearm to operate".

Aloha,

I am writing to express my strong opposition to HB279, which imposes additional restrictions on the possession and transportation of firearm parts and significantly increases penalties for lawful gun owners who unintentionally violate its provisions. This bill is not only an unconstitutional overreach of government power but also a direct infringement on my rights as protected under the Second Amendment of the United States Constitution.

The Supreme Court has affirmed in *\*District of Columbia v. Heller (2008)\** and *\*New York State Rifle & Pistol Association v. Bruen (2022)\** that the right to keep and bear arms is an individual right. The broad and vague restrictions imposed by HB279 infringe upon this right by criminalizing the mere possession of firearm parts outside narrowly defined areas. Law-abiding gun owners should not be treated as criminals for exercising a fundamental constitutional right

HB279 places unreasonable restrictions on the ability of law-abiding citizens to transport and maintain their legally owned firearms and parts. By requiring that firearm parts be confined to specific locations and transported only in an enclosed container between limited sites, this bill makes everyday firearm maintenance and transportation legally hazardous. If a lawful gun owner accidentally violates these vague transport provisions, they could face **\*\*a misdemeanor charge for possessing just three firearm parts, or even a felony if they are categorized as a "prohibited person."\*\***

Furthermore, the **\*\*mandatory minimum sentencing provisions\*\*** are especially egregious. Even for first-time violations, the bill imposes a **\*\*mandatory term of imprisonment of at least one year\*\*** for carrying a firearm outside the prescribed areas. This kind of punishment is disproportionate, unjust, and does not serve public safety.

The justification for HB279 is rooted in concerns about "ghost guns" and firearm-related crime, yet this bill does little to target actual criminals. Instead, it restricts the rights of law-abiding gun owners who have no intent to commit crimes. Criminals who obtain firearms illegally and use them unlawfully are not going to abide by the transport and storage requirements imposed by this bill.

Moreover, increasing penalties on otherwise lawful conduct does not enhance public safety. Instead, it **\*\*places an undue burden on responsible gun owners\*\*** who are merely exercising their constitutional rights. The state should focus its resources on prosecuting violent criminals rather than restricting the freedoms of law-abiding citizens.

Thank you for your time and consideration,

Jason T Wolford



**HB-279**

Submitted on: 2/5/2025 9:47:58 AM

Testimony for JHA on 2/6/2025 2:00:00 PM

<b>Submitted By</b>	<b>Organization</b>	<b>Testifier Position</b>	<b>Testify</b>
William Hawkins	Individual	Oppose	Written Testimony Only

Comments:

I oppose this bill. Criminalization of carrying gun parts is ludicrous. Might as well start banning someone carrying car parts, or bicycle parts, or any other mundane objects that are not functioning firearms. Despite the fact that gun laws are not followed by CRIMINALS, this is just another attempt to jam up law abiding citizens who choose to exercise their existential right to keep and bear arms in a state that does not believe in the rights of ALL people, but only the people they choose.

**HB-279**

Submitted on: 2/5/2025 10:04:30 AM

Testimony for JHA on 2/6/2025 2:00:00 PM

<b>Submitted By</b>	<b>Organization</b>	<b>Testifier Position</b>	<b>Testify</b>
Brandon Allen Kainoa Leong	Individual	Oppose	Written Testimony Only

Comments:

**I strongly oppose HB279.** So basically, this bill will make it illegal for me to go to a gun shop to purchase a replacement part for one of my firearms and I wouldn't be allowed to run any other errands when I am out and about. Technically if you are carrying every part for a gun, you are no longer carrying parts, you are carrying a full gun. Just because it is not assembled does not change the fact that you are carrying a complete gun. Further more the body of this bill talks about all of the arrests made because of the so-called Ghost Guns. Sounds like that law is working and adding this law does not make Hawaii any safer because current laws are already doing the job. You are just making it harder for those of us who respect laws to go about our business. This is why we do not trust you. You prove every year that you do not trust gun owners in Hawaii to do the right thing.

Bradnon Leong

President

Lessons In Firearms Education

**HB-279**

Submitted on: 2/5/2025 10:07:33 AM

Testimony for JHA on 2/6/2025 2:00:00 PM

Submitted By	Organization	Testifier Position	Testify
Doris Segal Matsunaga	Individual	Support	Written Testimony Only

Comments:

**My family and I in Waimea on Hawaii Island support HB279 and store our firearms safely  
HB 279 - Access to guns in the home increases the risk of suicide by 300%.**

Improperly storing guns can contribute to guns entering the illegal market.

Unlocked and loaded firearms in the home drastically jeopardize the safety of our keiki.

**HB-279**

Submitted on: 2/5/2025 10:14:38 AM

Testimony for JHA on 2/6/2025 2:00:00 PM

<b>Submitted By</b>	<b>Organization</b>	<b>Testifier Position</b>	<b>Testify</b>
Janice Giles	Individual	Oppose	Written Testimony Only

Comments:

There may be a time where we would have to switch locations, so don't want to be penalized.

**HB-279**

Submitted on: 2/5/2025 10:40:17 AM

Testimony for JHA on 2/6/2025 2:00:00 PM

<b>Submitted By</b>	<b>Organization</b>	<b>Testifier Position</b>	<b>Testify</b>
Karen Sullivan	Individual	Support	Written Testimony Only

Comments:

Firearms in homes should be managed responsibly. To provide guidelines to those citizens is something our Legislature can provide and, sadly, must provide. Keep our Keiki's safe. Your actions will make a difference.

**HB-279**

Submitted on: 2/5/2025 10:46:39 AM

Testimony for JHA on 2/6/2025 2:00:00 PM

<b>Submitted By</b>	<b>Organization</b>	<b>Testifier Position</b>	<b>Testify</b>
Barbara Fisher	Individual	Support	Written Testimony Only

Comments:

Access to guns in the home increases the risk of suicide by 300%.

Improperly storing guns can contribute to guns entering the illegal market.

Unlocked and loaded firearms in the home drastically jeopardize the safety of our keiki.

Please protect the families in Hawaii. Demand secure storage of firearms.

**HB-279**

Submitted on: 2/5/2025 10:46:40 AM

Testimony for JHA on 2/6/2025 2:00:00 PM

<b>Submitted By</b>	<b>Organization</b>	<b>Testifier Position</b>	<b>Testify</b>
Samuel Webb	Individual	Oppose	Written Testimony Only

Comments:

I oppose this Bill, because if I want to sell firearm parts, such as old pistol sights, I need to transport them in TSA approved locked container and only sell them at a Police Station, Koko Head Range or do business at a private Firearm store.

**HB-279**

Submitted on: 2/5/2025 10:47:15 AM

Testimony for JHA on 2/6/2025 2:00:00 PM

<b>Submitted By</b>	<b>Organization</b>	<b>Testifier Position</b>	<b>Testify</b>
Alvin Rodrigues	Individual	Oppose	Written Testimony Only

Comments:

I OPPOSE BILL HB279

I FIND IT ASININE TO REQUIRE WE THE PEOPLE TO HAVE TO TREAT AAPART IN THE SAME MANNER AS A GUN. ITS LIKE SAYING A TIRE IS A CAR.



**HB-279**

Submitted on: 2/5/2025 11:08:06 AM

Testimony for JHA on 2/6/2025 2:00:00 PM

<b>Submitted By</b>	<b>Organization</b>	<b>Testifier Position</b>	<b>Testify</b>
Charles Tom	Individual	Oppose	Written Testimony Only

Comments:

I oppose this bill because it requires an individual from having firearm parts outside of their home or business and only allows transport to specific locations. What if I want to stop at Walmart on my way to one of those locations? What is the reason for this? Gun parts on their own can't do anything. It's like a car battery outside of a car.

**HB-279**

Submitted on: 2/5/2025 11:43:21 AM

Testimony for JHA on 2/6/2025 2:00:00 PM

<b>Submitted By</b>	<b>Organization</b>	<b>Testifier Position</b>	<b>Testify</b>
Sharan Sadowski	Individual	Oppose	Written Testimony Only

Comments:

The carrying of firearms to protect one's self should depend on the need of the individual for protection, so penalties should not be increased.

**HB-279**

Submitted on: 2/5/2025 11:44:57 AM

Testimony for JHA on 2/6/2025 2:00:00 PM

<b>Submitted By</b>	<b>Organization</b>	<b>Testifier Position</b>	<b>Testify</b>
Chris Marvin	Individual	Support	Written Testimony Only

Comments:

As a veteran and a gun violence prevention advocate, I strong support HB279

**HB-279**

Submitted on: 2/5/2025 11:50:21 AM

Testimony for JHA on 2/6/2025 2:00:00 PM

<b>Submitted By</b>	<b>Organization</b>	<b>Testifier Position</b>	<b>Testify</b>
Paul Giles	Individual	Oppose	Written Testimony Only

Comments:

I oppose HB279

Paul Giles

**HB-279**

Submitted on: 2/5/2025 11:50:41 AM

Testimony for JHA on 2/6/2025 2:00:00 PM

<b>Submitted By</b>	<b>Organization</b>	<b>Testifier Position</b>	<b>Testify</b>
John	Individual	Oppose	Written Testimony Only

Comments:

Unconstitutional and redefining parts as firearms, so as anything could be defined as a firearm.

**HB-279**

Submitted on: 2/5/2025 11:50:55 AM

Testimony for JHA on 2/6/2025 2:00:00 PM

<b>Submitted By</b>	<b>Organization</b>	<b>Testifier Position</b>	<b>Testify</b>
Sheila Gage	Individual	Oppose	Written Testimony Only

Comments:

I oppose this bill.

**HB-279**

Submitted on: 2/5/2025 12:09:52 PM

Testimony for JHA on 2/6/2025 2:00:00 PM

<b>Submitted By</b>	<b>Organization</b>	<b>Testifier Position</b>	<b>Testify</b>
Len Corpuz	Individual	Oppose	Written Testimony Only

Comments:

I'm opposed to this bill due to the infringing of the second amendment amendment

**HB-279**

Submitted on: 2/5/2025 12:11:21 PM

Testimony for JHA on 2/6/2025 2:00:00 PM

<b>Submitted By</b>	<b>Organization</b>	<b>Testifier Position</b>	<b>Testify</b>
Kanayama, Galen	Individual	Oppose	Written Testimony Only

Comments:

Please do not pass this law that only effects the law abiding. Prosecute the misuse of firearms and "parts" with real consequences.



**HB-279**

Submitted on: 2/5/2025 12:28:35 PM

Testimony for JHA on 2/6/2025 2:00:00 PM

<b>Submitted By</b>	<b>Organization</b>	<b>Testifier Position</b>	<b>Testify</b>
Timothy Hehemann	Individual	Oppose	Written Testimony Only

Comments:

I oppose this bill

Timothy John Hehemann

(808) 740-2828

**HB-279**

Submitted on: 2/5/2025 12:30:53 PM

Testimony for JHA on 2/6/2025 2:00:00 PM

<b>Submitted By</b>	<b>Organization</b>	<b>Testifier Position</b>	<b>Testify</b>
Carl Matthew Jellings	Individual	Oppose	Written Testimony Only

Comments:

Restricting the 2nd amendment is an infringement, as stated in the constitution.

**HB-279**

Submitted on: 2/5/2025 12:32:18 PM

Testimony for JHA on 2/6/2025 2:00:00 PM

<b>Submitted By</b>	<b>Organization</b>	<b>Testifier Position</b>	<b>Testify</b>
David P Vea	Individual	Oppose	Written Testimony Only

Comments:

It appears that every year we waste tax payer money, time, and effort when politicians try to introduce legislation that is vague, poorly written resulting in confusion, inconsistency in application, unfair outcomes, and most importantly it is clearly UNCONSTITUTIONAL. I could understand if you were testing the waters because the politicians have not seen clear guidance or interpretation of the law but a quick search will reveal that all your proposal contained in this bill has already been determined by the Federal Courts as Unconstitutional, Unreasonable, and or Over Reaching. "Ghost Gun" bans, and or imposing unreasonable restrictions on gun parts have already either been struck down at the Federal Circuit level or currently scheduled to be heard by a Federal Circuit Judge and or at the Supreme Court. Therefore, you already have clear guidance on what is worth pursuing and we should not spend your time (Tax payers money) arbitrarily hoping one of this will sneak through and stick. If you pursue this type of legislation and for some reason you were to sneak it through, it will be challenged and as already demonstrated, it will not withstand Constitutional scrutiny at a Higher Level review, resulting in again wasted tax payer dollars and time when you should have been fully aware of the results and it does nothing for the safety and welfare of the citizens of Hawaii.

Moreover, this type of consistent disregard or lack of consideration to the Rule of Law seen in recent 2A decisions and the obvious past opposition from your community by pushing legislation that gets knocked down every year is an insult to your constituents and the will of the people. Especially when this type of proposed legislation does nothing for the safety and well being of the people. It turns a simple purchase of a screw, iron sights, receiver pin into a huge obstruction and undue hardship to law abiding citizens. Not to mention it appears you require an arbitrary unspecified container of sorts to "secure it?" How does this stop criminals again? Common sense tells me it doesn't and only places more of the burden on law abiding citizens and the financial impact will be felt by local business because buying a simple part turns into a huge event that must be scheduled on a day you can afford not to mix your daily errands because if not, it would turn you into a criminal when you don't follow these rules.

Please do your due diligence and you will find a number of these UNCONSTITUTIONAL Decision Determinations in Texas in 2024 and another set to be decided by the Supreme Court this summer. As a proud Resident that grew up in these islands, we should be known for our Aloha and not the state that year after year continuously tries to enforce non-sensical rules and regulations on its law abiding citizens.

**HB-279**

Submitted on: 2/5/2025 12:47:38 PM

Testimony for JHA on 2/6/2025 2:00:00 PM

<b>Submitted By</b>	<b>Organization</b>	<b>Testifier Position</b>	<b>Testify</b>
Barbara Gomes	Individual	Support	Written Testimony Only

Comments:

Access to guns in the home increases the risk of suicide by 300%.

Improperly storing guns can contribute to guns entering the illegal market.

Unlocked and loaded firearms in the home drastically jeopardize the safety of our keiki.

Thank you very much for passing this important bill.

**HB-279**

Submitted on: 2/5/2025 12:48:06 PM

Testimony for JHA on 2/6/2025 2:00:00 PM

<b>Submitted By</b>	<b>Organization</b>	<b>Testifier Position</b>	<b>Testify</b>
Mitchell H. Weber	Individual	Oppose	Written Testimony Only

Comments:

I OPPOSE HB279,

This bill is nonsense, stop wasting time and money on this farse and instead work on fixing the mess that you and your predecessors caused in our state.

**HB-279**

Submitted on: 2/5/2025 1:06:30 PM

Testimony for JHA on 2/6/2025 2:00:00 PM

<b>Submitted By</b>	<b>Organization</b>	<b>Testifier Position</b>	<b>Testify</b>
Joe OMealy	Individual	Support	Written Testimony Only

Comments:

I support the proposal to strengthen Hawaii's laws addressing safe storage of firearms.

Thank you.

**HB-279**

Submitted on: 2/5/2025 1:13:26 PM

Testimony for JHA on 2/6/2025 2:00:00 PM

<b>Submitted By</b>	<b>Organization</b>	<b>Testifier Position</b>	<b>Testify</b>
Reginald Eubanks	Individual	Oppose	Written Testimony Only

Comments:

I am submitting testimony in opposition to HB 279. The proposed changes to HRS-134 will not make the community safe. This bill attempts to shift the burden from teens and young adults who misbehave to the law-abiding citizens of the state.

Most firearm parts are not serialized and can be ordered online so they are not generally taken from a vehicle unless the whole firearm was stolen, which is a separate issue.

Homemade firearms will always be available as technology advances and they have been legal since the founding, as long they are not sold. Therefore, banning homemade firearms is unconstitutional.

Lastly, if a version of this bill passes, an exception for the number of parts, especially magazines, for CCW license holders should be considered.

Please vote no on HB 279.

**HB-279**

Submitted on: 2/5/2025 1:13:45 PM

Testimony for JHA on 2/6/2025 2:00:00 PM

<b>Submitted By</b>	<b>Organization</b>	<b>Testifier Position</b>	<b>Testify</b>
Todd Yukutake	Individual	Oppose	In Person

Comments:

I oppose HB279.

I carry firearm parts for many reasons - to teach classes, for work, purchasing parts from stores, selling parts to others etc. It would be a major inconvenience to follow HB279 as I travel between many places and it doesn't make sense. For example, if I purchase a replacement firing pin, or even a bag of screws, from the gun store on the way to a doctors appointment. It doesn't make sense to be restricted and carry it in a secure case. The parts don't do anything by itself, are really of no value to criminals as they can be purchased anywhere even online, and don't warrant getting a felony just for a bag of screws.

Please oppose this bill

Todd Yukutake

toddykutake@gmail.com



**HB-279**

Submitted on: 2/5/2025 1:31:22 PM

Testimony for JHA on 2/6/2025 2:00:00 PM

<b>Submitted By</b>	<b>Organization</b>	<b>Testifier Position</b>	<b>Testify</b>
Jennifer Cabjuan	Individual	Oppose	Remotely Via Zoom

Comments:

Oppose this bill. Regulations on transporting firearm parts should never be considered a criminal offense and goes totally against the right to bear arms. Ambiguous terms like 'firearm parts' and 'enclosed container' are too vague and should not be used for criminal offenses.

**HB-279**

Submitted on: 2/5/2025 1:33:59 PM

Testimony for JHA on 2/6/2025 2:00:00 PM

<b>Submitted By</b>	<b>Organization</b>	<b>Testifier Position</b>	<b>Testify</b>
Terence Lee	Individual	Support	Written Testimony Only

Comments:

Aloha Members of the Committee.

My name is Terence Lee. I am a resident and also a gun violence survivor. I was shot 5 times by a man who should not have had a firearm 32 years ago this year. I have been watching the gun violence grow ever since that day.

I am very aware of Hawaii's gun laws as well as the recent data showing some pathways to less gun violence. This is one of them. Please pass this bill.

Mahalo,

Terence Lee

**HB-279**

Submitted on: 2/5/2025 1:59:04 PM

Testimony for JHA on 2/6/2025 2:00:00 PM

<b>Submitted By</b>	<b>Organization</b>	<b>Testifier Position</b>	<b>Testify</b>
Samuel M. Aquino Jr.	Individual	Oppose	Written Testimony Only

Comments:

I oppose this bill as it violates our 2nd ammendment rights as US citizens.

**HB-279**

Submitted on: 2/5/2025 2:01:32 PM

Testimony for JHA on 2/6/2025 2:00:00 PM

<b>Submitted By</b>	<b>Organization</b>	<b>Testifier Position</b>	<b>Testify</b>
David Williams	Individual	Oppose	Written Testimony Only

Comments:

Strongly oppose

**HB-279**

Submitted on: 2/5/2025 2:05:47 PM

Testimony for JHA on 2/6/2025 2:00:00 PM

<b>Submitted By</b>	<b>Organization</b>	<b>Testifier Position</b>	<b>Testify</b>
Karen L Worthington	Individual	Support	Written Testimony Only

Comments:

Dear House Committee Members:

I strongly support HB279 and urge you to pass this law. HB279 is an essential tool to reduce the risks of gun violence in Hawaii.

Mahalo for your consideration.

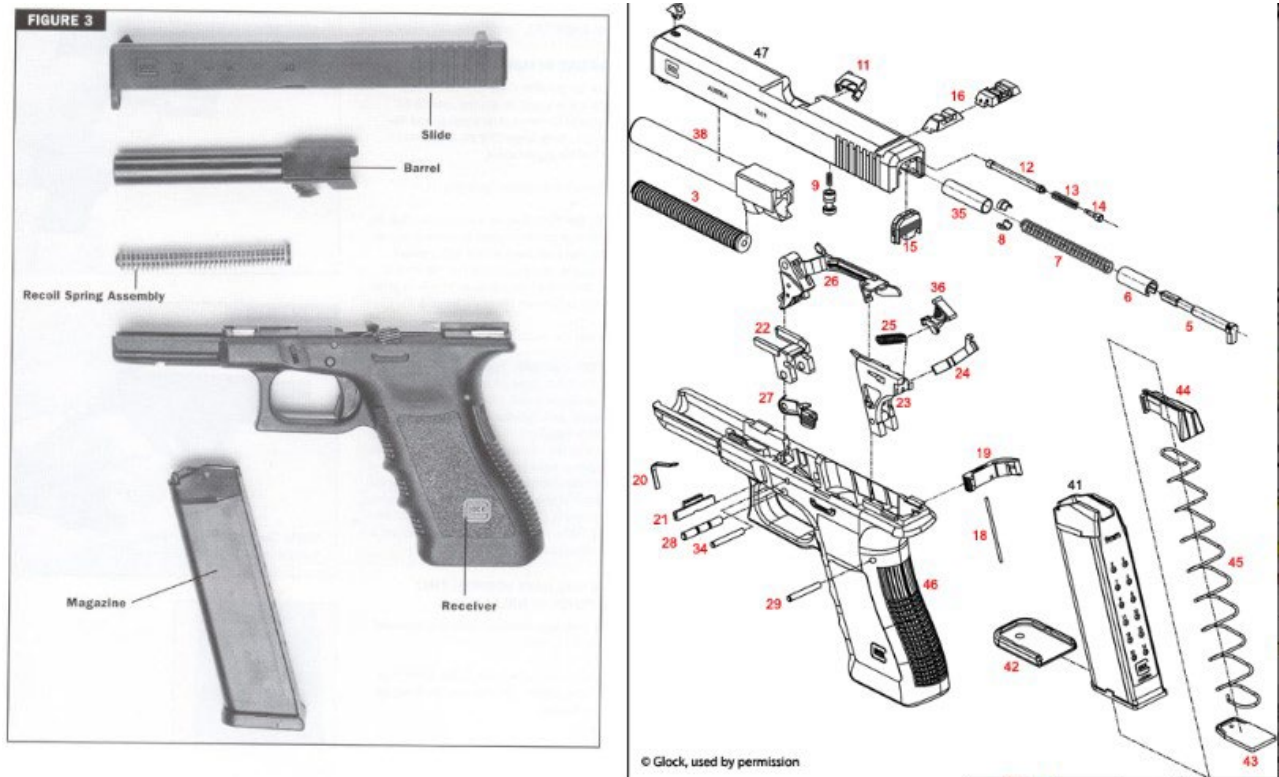
Sincerely,

Karen Worthington, Kula, Hawaii

I would like to thank this committee for the opportunity to submit testimony opposing HB279. I am a military veteran (21 years active duty), a competitive marksman, and I am licensed by HPD to carry a concealed firearm in the state of Hawaii. I have extensive firearms experience and have carried weapons in both my professional life and off-duty / as a civilian for nearly three decades.

House Bill No 279 is an overreach of authority and unfairly burdens legal gun owners. The justifications in the first two pages are problematic to say the least. For example, the statement “Even an unskilled person can assemble a deconstructed firearm in a matter of seconds” is a gross generalization.

[SEE ATTACHMENT BELOW “GLOCK COMPONENTS”]



I concede that a fully assembled firearm that is later broken down into major parts groups is easily assembled. For example, a Glock pistol (chosen as an example due to it being the most common pistol type in the US) can be disassembled into five major parts. Slide assembly, barrel, spring, receiver, and magazine. However, there are dozens of parts in the slide and receiver that require significant training and specialty tools to assemble. As written, HB279 puts a gun owner in possession of a handful of springs and pins on the wrong side of the law.

[SEE ATTACHMENT BELOW “RIFLE REPAIR KIT”]



[Excerpt from HB279, page six SECTION 3: “Firearm parts” means any item that is specifically designed for or adapted for use in creating a firearm, including the barrel, bolt, slide, frame, receiver, trigger, hammer, firing pin, cylinder, magazine, or any other part necessary for a firearm to operate.”]

A common example of parts that would be routinely carried by a law-abiding gun owner can be seen in the attached image of a Rifle Repair Kit. This “save a match” kit (tailored for the most popular rifles in the country) fits in a ziplock bag and often lives in my trunk or my “daily use” backpack that carries my lunch to the range and to my day job at a medical clinic. The kit is meant to address common failures of the modern sporting rifle (MSR) with spare parts (including a “firing pin”, see excerpt above) that wear out or can be lost during cleaning and maintenance. It is cheap insurance for a competitive marksman to keep one of these handy. In no situation would these items pose a threat to the community. However, as the kit contains “three or more firearm parts” it would make me guilty of a misdemeanor if left in my pack.

Of greater concern, a single ten round magazine (legal in Hawaii, and harmless with no firearm or ammunition) is not only a “part” in and of itself, but it contains four components. Drop one of these on the floorboards of the back seat or in your trunk when unloading your car after a day at the Koko Head Shooting Complex, and a traffic stop the next day could mean additional charges!

While I understand the impulse to legislate broadly in the interest of public safety, I implore you to reevaluate the “letter” of the law you are considering. Words matter, and the breadth of this bill has impacts far outside stopping “ghost guns.”

[Excerpt from HB279, page two: “In 2023, the Honolulu police department initiated one hundred forty-three cases for “place to keep” offenses, of which eighty-four arrests were effected on seventy-two individuals. In 2023 alone, those seventy-two individuals arrested for “place to keep” accounted for an additional two hundred nineteen felony arrest and one hundred ninety-five misdemeanor arrests.”]

While this excerpt does demonstrate our police officers are effectively utilizing existing laws, it fails to demonstrate how many times [HB 279 page one] “state and country law enforcement are unable to bring charges against an individual in possession of a firearm that has been deconstructed.” I respectfully submit that this bill will be effective in convicting citizens for having firearms components in their possession. It is less clear that AS WRITTEN this bill will stop criminals who are intent on committing firearms related crimes.

Please vote “NO” on HB279 as written.

Respectfully,

Michael S. Duff

Wahiawa, Hawaii



**HB-279**

Submitted on: 2/5/2025 2:11:03 PM

Testimony for JHA on 2/6/2025 2:00:00 PM

<b>Submitted By</b>	<b>Organization</b>	<b>Testifier Position</b>	<b>Testify</b>
Aloha	Individual	Oppose	Written Testimony Only

Comments:

I oppose HB279. I am a skilled person and I can't assemble a deconstructed firearms in seconds, can you? I have to take apart my firearms and take the parts to have it cleaned or fixed. If this bill is passed how am I suppose to get these parts to where I need to take them. Where did you get your facts about people who illegally carry firearms? This bill will not promote public safety.

**HB-279**

Submitted on: 2/5/2025 2:32:57 PM

Testimony for JHA on 2/6/2025 2:00:00 PM

<b>Submitted By</b>	<b>Organization</b>	<b>Testifier Position</b>	<b>Testify</b>
Karl Kubo	Individual	Oppose	Written Testimony Only

Comments:

I OPPOSE HD 279. Your "Firearms parts" list is too broad. These parts do not work by themselves. They have to be assembled and fitted by some skilled person. Drugs kill more people than firearm parts. There's no law that says addictive drugs have to be in a locked in a container.

**HB-279**

Submitted on: 2/5/2025 2:40:07 PM

Testimony for JHA on 2/6/2025 2:00:00 PM

<b>Submitted By</b>	<b>Organization</b>	<b>Testifier Position</b>	<b>Testify</b>
Fred Delosantos	Individual	Oppose	Written Testimony Only

Comments:

OPPOSE.

Firearm loose parts, excepting FFL-designated firearms receivers, unassembled, are by definition, NOT FIREARMS. It is ludicrous to impose burdensome storage requirements, and transportation limits on non-FFL inert parts. This would include things like screws and springs.

FFL-designated firearms parts are already subject to restrictive storage and transportation constraints

Especially since Oahu, Hawaii's island nature, you can't go very far, so everything is a short trip. Everything is near-by. Especially burdensome to the law-abiding.

Again, this bill only served to penalize the lawful for the misdeeds of the unlawful. Please redirect your focus to the criminal element.

**HB-279**

Submitted on: 2/5/2025 2:44:57 PM

Testimony for JHA on 2/6/2025 2:00:00 PM

<b>Submitted By</b>	<b>Organization</b>	<b>Testifier Position</b>	<b>Testify</b>
David Fukuzawa	Individual	Oppose	Written Testimony Only

Comments:

Dear Legislature:

I submit this testimony in oppositionl of HB279.

Sincerely,

David Fukuzawa

**HB-279**

Submitted on: 2/5/2025 2:49:05 PM

Testimony for JHA on 2/6/2025 2:00:00 PM

<b>Submitted By</b>	<b>Organization</b>	<b>Testifier Position</b>	<b>Testify</b>
Daniel Covert	Individual	Oppose	Written Testimony Only

Comments:

Honorable Members of the Committee,

Thank you for allowing me to testify today. I am here to express my strong opposition to the proposed law that seeks to regulate the place where firearm parts must be stored. While I recognize the need for safety and responsible firearm ownership, I believe this bill would impose unnecessary and burdensome restrictions on law-abiding citizens, without effectively addressing the issues it purports to solve.

First, firearm parts—such as barrels, triggers, or slides—by themselves do not present a significant threat. The mere possession of parts, without the ability to assemble them into a functioning firearm, poses no real risk to public safety. Criminals, by definition, do not abide by laws like this, and this legislation will only affect responsible gun owners who are complying with existing regulations.

This law could also result in excessive regulation and overreach into the personal lives of law-abiding citizens. Many individuals store their firearm parts in places where they also store other valuables or tools. To impose arbitrary requirements about where these parts should be kept could lead to unnecessary criminalization of those who simply fail to meet overly strict standards—standards that do not have any clear basis in preventing crime.

Additionally, the bill does not seem to consider the practicality of how firearm owners maintain their firearm parts. Many hobbyists, hunters, and sports shooters require easy access to their firearm parts for maintenance, cleaning, or replacement. Mandating specific places for storage would inconvenience these individuals and could create barriers to lawful and responsible firearm ownership.

Furthermore, it is important to recognize that firearm parts alone do not constitute a fully operational firearm. Many firearms owner own multiple parts to shoot multiple calibers. Instead of focusing on non-threatening parts, we should prioritize laws that address actual risks—such as illegal firearm trafficking, improving mental health interventions, or addressing criminal misuse of firearms. The current proposal seems misplaced in its focus, doing little to address the core issue of gun violence.

In conclusion, I urge the committee to reconsider this proposal. It oversteps in regulating personal storage practices and does not provide a meaningful solution to public safety concerns.

We should focus on targeted, effective measures that address real risks, rather than burden responsible citizens with unnecessary regulations that ultimately do little to improve safety.

Thank you for your time and consideration.

**HB-279**

Submitted on: 2/5/2025 3:03:22 PM

Testimony for JHA on 2/6/2025 2:00:00 PM

<b>Submitted By</b>	<b>Organization</b>	<b>Testifier Position</b>	<b>Testify</b>
Karen Turner	Individual	Support	Written Testimony Only

Comments:

The strongest possible weapons storage laws make sense for Hawaii.

**HB-279**

Submitted on: 2/5/2025 3:23:24 PM

Testimony for JHA on 2/6/2025 2:00:00 PM

<b>Submitted By</b>	<b>Organization</b>	<b>Testifier Position</b>	<b>Testify</b>
Michael Ryan	Individual	Oppose	Written Testimony Only

Comments:

I oppose this bill because it conflicts with the second amendment. Namely, the right to bare arms shall not be infringed upon. Gun parts are not a threat to the general public. Making it a crime because a law abiding owner needs to stop at a gas station or store on the way to his home or the gun shop is ludicrous.



**Dennis M. Dunn**

**Kailua, Hawaii 96734**

[dennismdunn47@gmail.com](mailto:dennismdunn47@gmail.com)

TO: Representative David A. Tarnas, Chair

Representative Mahina Poepoe, Vice Chair

House Committee on judiciary and Hawai'ian Affairs

RE: HB 279, Relating to Firearms

HEARING: Thursday, February 6, 2025, 2:00 P.M.

Good afternoon, Chair Tarnas, Vice Chair Poepoe, and Members of the House Committee on Judiciary and Hawai'ian Affairs. My name is Dennis Dunn, and I am the retired Director of the Victim Witness Kokua Services in the Honolulu Prosecuting Attorney's Office, having retired after 44 years of service. Prior to that I was a volunteer Victim Advocate for People Against Rape. I am testifying today **in strong support of HB 279**.

Too often during my career in victim assistance I have had to console victims of gun violence or their surviving family members. Particularly traumatic were the stories from domestic violence victims who lived in constant fear due to their abusers carrying easily accessible firearms in their vehicles or in an ever-present backpack as a tool of intimidation. They lived in fear not only for themselves but for their children, who may accidentally come across the firearm and harm themselves or others, or both. Some victims even reported that their perpetrator was stopped by police and gave some excuse about transporting their firearm for a permitted purpose but forgot their gun case, so they were keeping their weapon close to them for safety purposes and were allowed to go along their way with no further detainment or questioning. Safe and secure storage of firearms during transport is just as critical to public safety as it is in the home. In addition to my concerns about readily accessible firearms utilized in a pattern of intimidation of DV victims and the safety of children, I am also ever mindful of the increasing use of firearms to commit suicide, a growing trend among the elderly. Often the likelihood of the use of weapons for this purpose is directly related to the easy access of the firearms. Making safe and secure storage of firearms mandatory can add additional time for someone to more carefully consider the full implications of their actions for themselves and their loved ones. For the reasons cited above I believe that this measure can help save lives and make all of us safer.

Please support HB 279. Thank you for your time and consideration.

Mahalo!

**HB-279**

Submitted on: 2/5/2025 3:50:45 PM

Testimony for JHA on 2/6/2025 2:00:00 PM

<b>Submitted By</b>	<b>Organization</b>	<b>Testifier Position</b>	<b>Testify</b>
Linda Legrande	Individual	Support	Written Testimony Only

Comments:

Any measure at all to ensure safer storage is warranted. Thank you, Linda

**HB-279**

Submitted on: 2/5/2025 4:40:23 PM

Testimony for JHA on 2/6/2025 2:00:00 PM

<b>Submitted By</b>	<b>Organization</b>	<b>Testifier Position</b>	<b>Testify</b>
Kualii Makaneole	Individual	Oppose	Written Testimony Only

Comments:

Many people assume that all firearm owners are reckless or irresponsible. However, many gun owners are law-abiding citizens who prioritize safety and training. Firearm parts are simply metal and plastic components that can enhance a firearm's performance. Imposing restrictions on these parts is unreasonable and limits the ability of all firearm owners to maintain their autonomy under the Second Amendment.

**HB-279**

Submitted on: 2/5/2025 5:55:22 PM

Testimony for JHA on 2/6/2025 2:00:00 PM

<b>Submitted By</b>	<b>Organization</b>	<b>Testifier Position</b>	<b>Testify</b>
Elba	Individual	Support	Written Testimony Only

Comments:

I support HB 893 or HB 279 in the text box on the testimony submission form.

HB 893 - Hawaii is the only state in the nation with an assault weapons law that fails to ban assault rifles, assault shotguns and large capacity magazines. Assault rifles are the weapons used in so many of the tragic mass shootings in our nation. Their military features are designed for battlegrounds, not civilian use on our islands.

HB 279 - Access to guns in the home increases the risk of suicide by 300%.  
Improperly storing guns can contribute to guns entering the illegal market.  
Unlocked and loaded firearms in the home drastically jeopardize the safety of our keiki.

**HB-279**

Submitted on: 2/5/2025 5:59:03 PM

Testimony for JHA on 2/6/2025 2:00:00 PM

<b>Submitted By</b>	<b>Organization</b>	<b>Testifier Position</b>	<b>Testify</b>
Seth Proctor	Individual	Oppose	Written Testimony Only

Comments:

This bill is vague and poorly written. Citizens could be made criminals for possession of a sling. I would suggest following ATF definitions of what constitute a firearm. Specifically the serialized portion of the gun. Anything else is vague. It is also redundant as Hawai'i already has regulation about transport of firearms and ammunition.

**HB-279**

Submitted on: 2/5/2025 7:00:47 PM

Testimony for JHA on 2/6/2025 2:00:00 PM

<b>Submitted By</b>	<b>Organization</b>	<b>Testifier Position</b>	<b>Testify</b>
Markos Cabaong	Individual	Oppose	Written Testimony Only

Comments:

I OPPOSE this bill!

**HB-279**

Submitted on: 2/5/2025 7:22:10 PM

Testimony for JHA on 2/6/2025 2:00:00 PM

<b>Submitted By</b>	<b>Organization</b>	<b>Testifier Position</b>	<b>Testify</b>
Kevin J. Cole	Individual	Oppose	Written Testimony Only

Comments:

Aloha,

I strongly Oppose HB 279. This is needlessly restrictive, onerous, and does nothing positive. Why hamper law abiding citizens? A person should be allowed to use his property as they see fit.

V/R

Kevin J. Cole, Col USAF Ret. Mililani

**HB-279**

Submitted on: 2/5/2025 7:42:09 PM

Testimony for JHA on 2/6/2025 2:00:00 PM

<b>Submitted By</b>	<b>Organization</b>	<b>Testifier Position</b>	<b>Testify</b>
Shane Correia	Individual	Oppose	Written Testimony Only

Comments:

I strongly oppose HB 279.

This bill imposes stringent restrictions on the possession and transport of firearm parts. Can a firearm part by itself be used to shoot ammunition? It's unclear what this bill is supposed to achieve. Furthermore, HB 279 mandates that firearm parts be transported in an "enclosed container," with any violation resulting in a criminal offense. These restrictions infringe upon the rights of lawful gun owners and hobbyists who may need to transport firearm parts for various legitimate purposes. The excessive regulations proposed in HB 279 are unnecessary and punitive towards responsible individuals, and criminals will likely comply with this. I request that you oppose HB 279.

I request that you oppose HB 279.



**HB-279**

Submitted on: 2/5/2025 7:42:54 PM

Testimony for JHA on 2/6/2025 2:00:00 PM

<b>Submitted By</b>	<b>Organization</b>	<b>Testifier Position</b>	<b>Testify</b>
Janessa Bonifacio	Individual	Oppose	Written Testimony Only

Comments:

I strongly oppose HB 279.

This bill imposes stringent restrictions on the possession and transport of firearm parts. Can a firearm part by itself be used to shoot ammunition? It's unclear what this bill is supposed to achieve. Furthermore, HB 279 mandates that firearm parts be transported in an "enclosed container," with any violation resulting in a criminal offense. These restrictions infringe upon the rights of lawful gun owners and hobbyists who may need to transport firearm parts for various legitimate purposes. The excessive regulations proposed in HB 279 are unnecessary and punitive towards responsible individuals, and criminals will likely comply with this. I request that you oppose HB 279.

I request that you oppose HB 279.

**HB-279**

Submitted on: 2/5/2025 8:38:23 PM

Testimony for JHA on 2/6/2025 2:00:00 PM

<b>Submitted By</b>	<b>Organization</b>	<b>Testifier Position</b>	<b>Testify</b>
Maya Maxym	Individual	Support	Written Testimony Only

Comments:

I support this bill, which seeks to enhance safe storage requirements for firearms. Having firearms improperly stored / not locked up significantly increases the risk of completed suicide for multiple members of a household. Mahalo.

Maya Maxym

**HB-279**

Submitted on: 2/5/2025 8:43:59 PM

Testimony for JHA on 2/6/2025 2:00:00 PM

<b>Submitted By</b>	<b>Organization</b>	<b>Testifier Position</b>	<b>Testify</b>
chad maeda	Individual	Oppose	Written Testimony Only

Comments:

I strongly oppose this bill

**HB-279**

Submitted on: 2/5/2025 9:52:48 PM

Testimony for JHA on 2/6/2025 2:00:00 PM

<b>Submitted By</b>	<b>Organization</b>	<b>Testifier Position</b>	<b>Testify</b>
Angela M Anderson	Individual	Oppose	Written Testimony Only

Comments:

A Mississippi court in the 5th circuit has just ruled that a ban on machine guns is inconsistent with the text, history, and tradition (Brien decision) of the 2nd Amendment in the United States vs Justin Bryce Brown

In likely fashion it is likely that a similar ruling would result from the passing of this or similar bills which seek to limit the constitutionally protected second amendment.

**HB-279**

Submitted on: 2/5/2025 10:07:02 PM

Testimony for JHA on 2/6/2025 2:00:00 PM

Submitted By	Organization	Testifier Position	Testify
Derek Sato	Individual	Oppose	Written Testimony Only

Comments:

Honorable Members of the Committee,

I am submitting this testimony to express my strong opposition to Hawaii Bill HB279. This bill proposes significant and unconstitutional amendments to firearm regulations in our State of Hawaii. This bill will unjustly infringe upon the rights of law-abiding citizens. What constitutes a part? So if I have screws that just so happen to match the thread and pitch of a screw that would fit into a firearm, that would be illegal? I can hear everyone's thoughts saying "Don't be ridiculous". And how would law enforcement determine what is legal and not. How would they not be compelled to arrest someone because they had machine screws or springs that just possibly could be firearm parts? Safer to arrest them and let the courts figure it out. Why place this burden on law enforcement and our courts? Why infringe on law abiding citizens rights to restore, repair, or improve their firearms. Many people have hobbies of which parts can be and are dangerous. Shall we require all youth baseball players to lock their bats in cases so they can't be stolen and used in a harmful way? Shall we require all construction trades to lock away all their tools and equipment while traveling so their tie-down straps can't be used in an unlawful way or the screws in the bed of their truck can't be stolen and scattered on roads. Firearms parts are of significantly less risk. Banning the open sale of kitchen knives from CVS and Wal-Mart would be next. This is a very slippery slope that it being proposed. Before long, someone will propose a bill to ban the sale of raw food products because someone could misuse it and get sick. Everyone's thoughts are loud saying "ridiculous". This is what this proposed bill represents. People attempting to restrict and rule over others for something they don't like and understand. Just because you can eat an extremely rare steak doesn't mean I'll push to ban it because I don't like it. Same concept of what is being attempted with this bill. You don't have to understand it or like it. You just have to know that it is a right of a free law abiding American citizen.

Thank you for considering my concerns.

**HB-279**

Submitted on: 2/5/2025 10:14:58 PM

Testimony for JHA on 2/6/2025 2:00:00 PM

<b>Submitted By</b>	<b>Organization</b>	<b>Testifier Position</b>	<b>Testify</b>
Darren	Individual	Oppose	Written Testimony Only

Comments:

Aloha Chair and Members,

I am writing to express my strong opposition to HB279, which I believe constitutes a direct violation of the Second Amendment of the United States Constitution. This bill, if enacted, would unduly infringe upon the rights of law-abiding citizens to keep and bear arms, as protected by the Second Amendment.

Mahalo,

Darren C. Clemen

**HB-279**

Submitted on: 2/5/2025 11:12:04 PM

Testimony for JHA on 2/6/2025 2:00:00 PM

<b>Submitted By</b>	<b>Organization</b>	<b>Testifier Position</b>	<b>Testify</b>
Ronald Kaea	Individual	Oppose	Written Testimony Only

Comments:

OPPOSE HB279.

What is the point in concealed carry permits if you're restricted where to go? How are we to protect ourselves?

OPPOSE HB 279. Don't infringe on our 2A Rights! OPPOSE!

**HB-279**

Submitted on: 2/5/2025 11:43:53 PM

Testimony for JHA on 2/6/2025 2:00:00 PM

<b>Submitted By</b>	<b>Organization</b>	<b>Testifier Position</b>	<b>Testify</b>
Benjamin Rex	Individual	Oppose	Written Testimony Only

Comments:

This is not a good bill, and only serves to make the lives of law-abiding citizens more difficult and to punish us for innocent acts because we needed to stop at the gas station on the way home from purchasing a new part for a firearm. This law must be amended to only apply when there are enough components of a firearm to make the weapon fire a projectile round. Anything more than that is punishing the wrong citizens. The definition of "Firearms parts" as listed on page 6, lines 8-12, are also much too vague and will allow law enforcement to decide what components meet the requirement of being "necessary for the firearm to operate." A firearm can fire a projectile without a magazine, a sight, a handguard, or a swivel sling attachment, to name only a few components that could lead to the arrest, fine or even imprisonment of a law-abiding citizen all because this legislation is poorly written and lacks adequate definitions of these critical terms. I could argue that a cleaning kit is necessary for the firearm to operate because a dirty weapon won't fire, and this is exactly the kind of vague wording that is concerning. It will be up to the law enforcement officer to determine what parts meet this ban, which means that any kind of part that can possibly be used or adapted to a weapon can be used to arrest a citizen who has nothing to do with criminal activity or ghost guns. This legislation at a minimum, must be amended to exclude the vague terminology wording, and leave it with a specified list that does not leave anything to interpretation.



**HB-279**

Submitted on: 2/6/2025 6:29:40 AM

Testimony for JHA on 2/6/2025 2:00:00 PM

<b>Submitted By</b>	<b>Organization</b>	<b>Testifier Position</b>	<b>Testify</b>
Theresa M Thompson	Individual	Oppose	Written Testimony Only

Comments:

I oppose HB 279 which allows the carrying or possessing of firearm parts only at or between certain locations and in an enclosed container. Defines firearm parts and prohibited persons. Establishes and increases penalties for the carrying or possessing of certain firearms or firearm parts other than at or between specific locations and in an enclosed container.

Mahalo,

Theresa Thompson

**HB-279**

Submitted on: 2/6/2025 7:48:46 AM

Testimony for JHA on 2/6/2025 2:00:00 PM

<b>Submitted By</b>	<b>Organization</b>	<b>Testifier Position</b>	<b>Testify</b>
Trevor	Individual	Oppose	Written Testimony Only

Comments:

It seems like the people who introduced this bill clearly don't know what the 2nd Amendment is you should try look it up!!!

**HB-279**

Submitted on: 2/6/2025 7:57:00 AM

Testimony for JHA on 2/6/2025 2:00:00 PM

<b>Submitted By</b>	<b>Organization</b>	<b>Testifier Position</b>	<b>Testify</b>
Amanda Wehrly	Individual	Oppose	Written Testimony Only

Comments:

Aloha,

I strongly oppose this bill HB 279. Please do not pass this bill.

Our Second amendment to the U.S. constitution guarantees the right to keep and bare arms.

Following the supreme courts NYSPRA versus Bruen all states in the U.S. were required to allow for conceal and carry of a handgun either permitlessly or with a permit.

This is overreach of government. So many restrictions in the State of Hawaii. To get a permit in Hawaii plus all the required classes to even have a gun is over kill for responsible citizens.

Guns don't kill--people do. A pencil could kill a person if used as a weapon.

Please stop this bill.

Amanda Wehrly

**HB-279**

Submitted on: 2/6/2025 8:24:33 AM

Testimony for JHA on 2/6/2025 2:00:00 PM

<b>Submitted By</b>	<b>Organization</b>	<b>Testifier Position</b>	<b>Testify</b>
Robert Vandertuin	Individual	Oppose	Written Testimony Only

Comments:

I Oppose House Bill 279

**HB-279**

Submitted on: 2/6/2025 9:00:16 AM

Testimony for JHA on 2/6/2025 2:00:00 PM

<b>Submitted By</b>	<b>Organization</b>	<b>Testifier Position</b>	<b>Testify</b>
John Harper	Individual	Oppose	Written Testimony Only

Comments:

as I just testified on HB125 another useless bill that will stop nothing and only hurts the law abiding.

**HB-279**

Submitted on: 2/6/2025 9:54:03 AM

Testimony for JHA on 2/6/2025 2:00:00 PM

<b>Submitted By</b>	<b>Organization</b>	<b>Testifier Position</b>	<b>Testify</b>
Phebe Kahoiwai	Individual	Oppose	Written Testimony Only

Comments:

I oppose this bill. Mahalo.

**HB-279**

Submitted on: 2/6/2025 10:14:34 AM

Testimony for JHA on 2/6/2025 2:00:00 PM

<b>Submitted By</b>	<b>Organization</b>	<b>Testifier Position</b>	<b>Testify</b>
Pearson Ahuna	Individual	Oppose	Written Testimony Only

Comments:

I oppose, constantly trying to make things harder for law abiding citizens.

**HB-279**

Submitted on: 2/6/2025 10:18:25 AM

Testimony for JHA on 2/6/2025 2:00:00 PM

<b>Submitted By</b>	<b>Organization</b>	<b>Testifier Position</b>	<b>Testify</b>
David Okumura	Individual	Oppose	Written Testimony Only

Comments:

I am in opposition to this bill.

The current statutory limitations to our 2nd Amendment rights are sufficiently imposing and it is self evident that an increase in regulations will negatively affect the law abiding citizens of Hawaii by curtailing our rights; furthermore, the proposed bill operates on the absurd principal that criminals will stop being criminals and will decide in 2025 to start following additional laws.

Mahalo, David Okumura



**HB-279**

Submitted on: 2/6/2025 10:47:54 AM

Testimony for JHA on 2/6/2025 2:00:00 PM

<b>Submitted By</b>	<b>Organization</b>	<b>Testifier Position</b>	<b>Testify</b>
Robert I Nehmad	Individual	Support	Written Testimony Only

Comments:

I am a resident of the State of Hawaii and support this Bill

Access to guns in the home increases the risk of suicide by 300%.

Improperly storing guns can contribute to guns entering the illegal market.

Unlocked and loaded firearms in the home drastically jeopardize the safety of our keiki.

Mahalo