

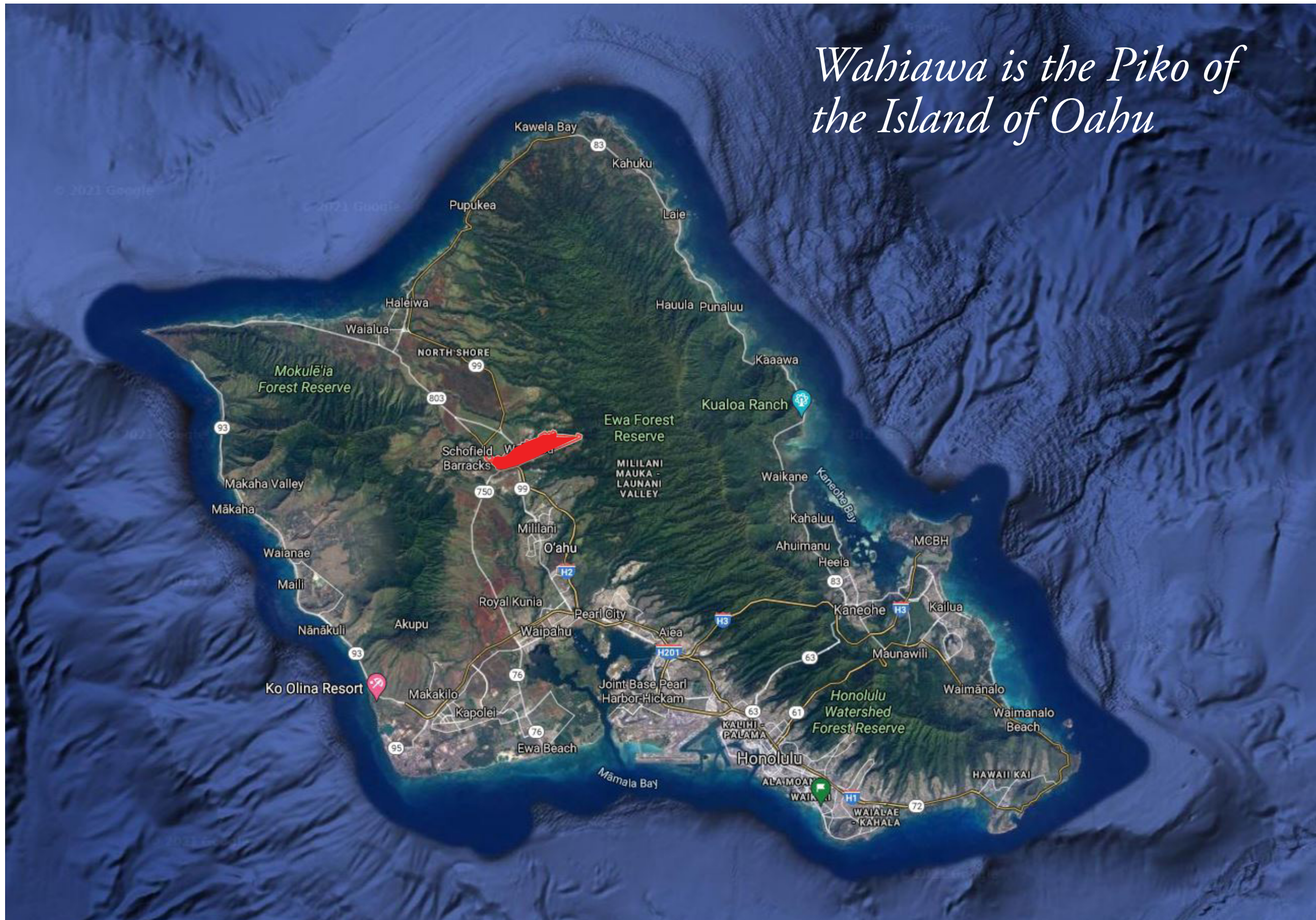


WAHIAWA
CIVIC
CENTER



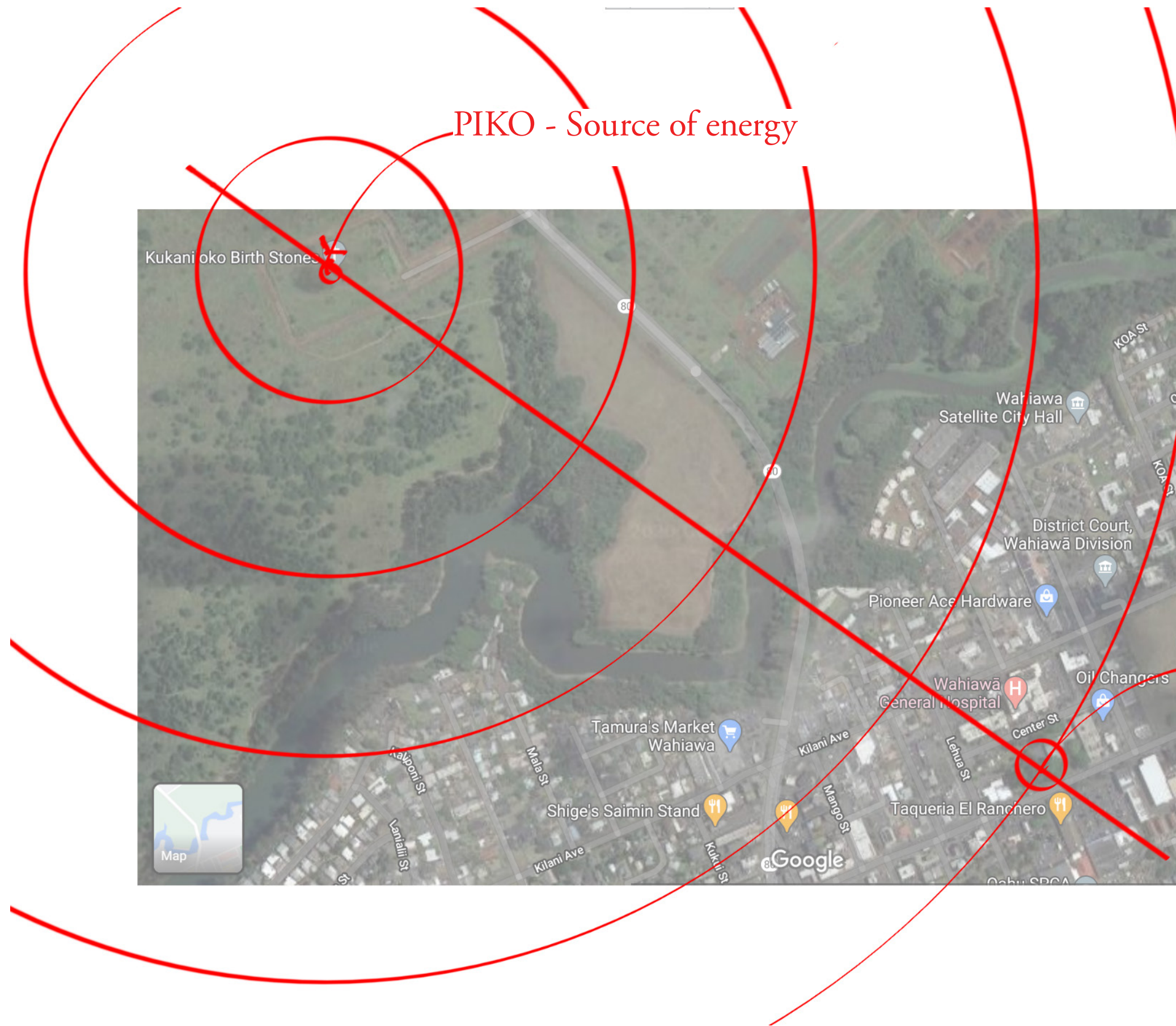
DESIGN CONCEPT

Wahiawa is the Piko of the Island of Oahu



Kukaniloko, a wahi kapu (sacred place) located in Wahiawa, is a deeply spiritual place of concise energy and healing

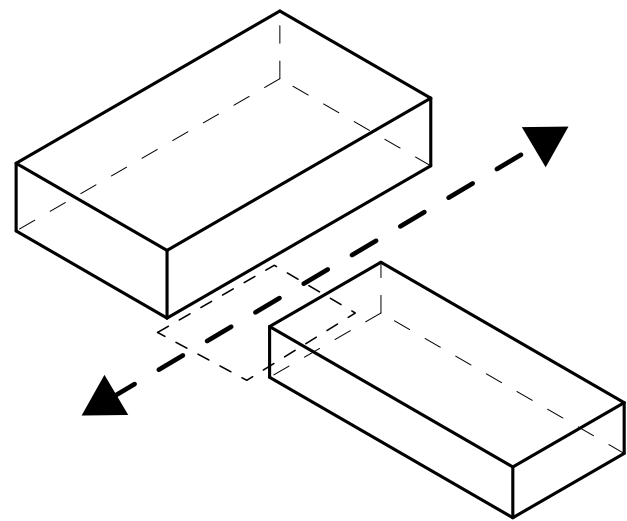




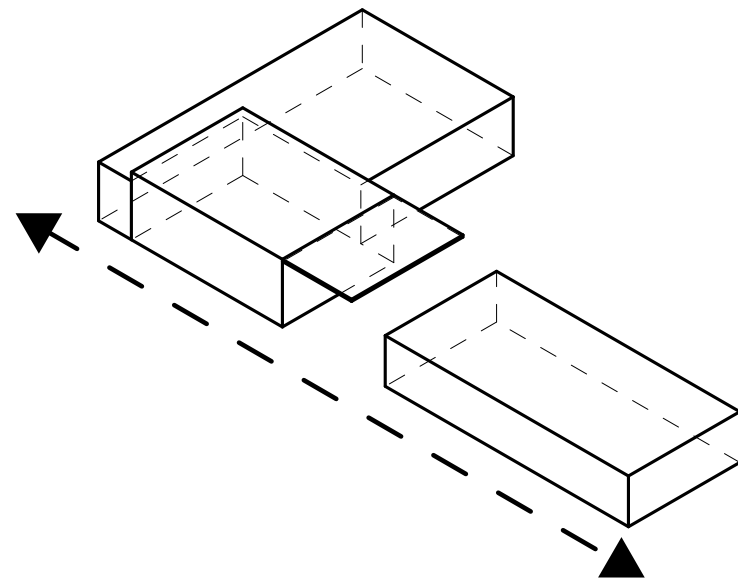
PIKO - Source of energy

'ONOHI -
Place of healing, peace
and comfort for kaiaulu
(community)

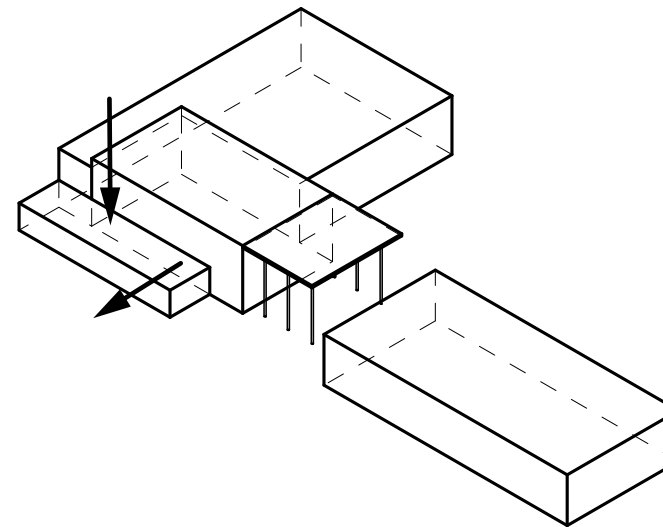
- 1.
- Masses on site
 - Plaza creation
 - pedestrian thoroughfare



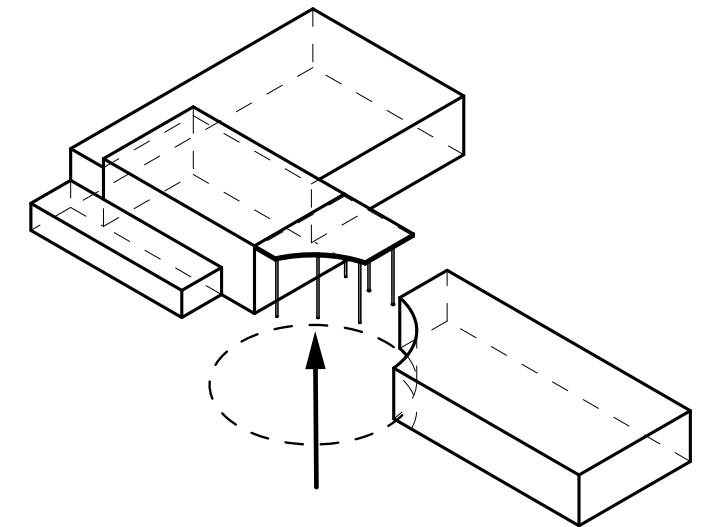
- 2.
- Orientation along California Avenue
 - Plantation style overhang



- 3.
- Relationship to pedestrian scale
 - Stepping down towards California Avenue



- 4.
- Carving out for Monkey pod tree
 - Relationship to existing context



*Existing 'ohai tree (Monkeypod, native to India)
represents how different cultures came together to create
the vibrant and diverse community of Wahiawa*





MODERN



PLANTATION



TRADITIONAL



CONTEMPORARY



INTERLOCKING MASSING



BREEZEBLOCK SCREENS



EXPRESSION OF
STRUCTURE



VERTICAL SUNSHADES



OVERHANGING FLAT ROOF



3D VIEWS



















LANDSCAPE DESIGN



Iliahi (Sandalwood)



Kou



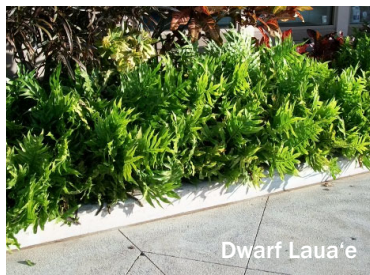
Kukui



Kupukupu Fern



Awa



Dwarf Laua'e



Dwarf Carissa



Nanu



Kokio keokeo



Kalo



Akia



Ilie'e



Lonomea



Dwarf Hope Philodendron



Palapalai Ferns



Hualalai Lily



Pohinahina



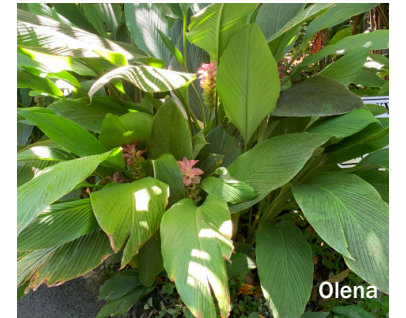
Ti



Loulou Palm



Dwarf Wax Banyan



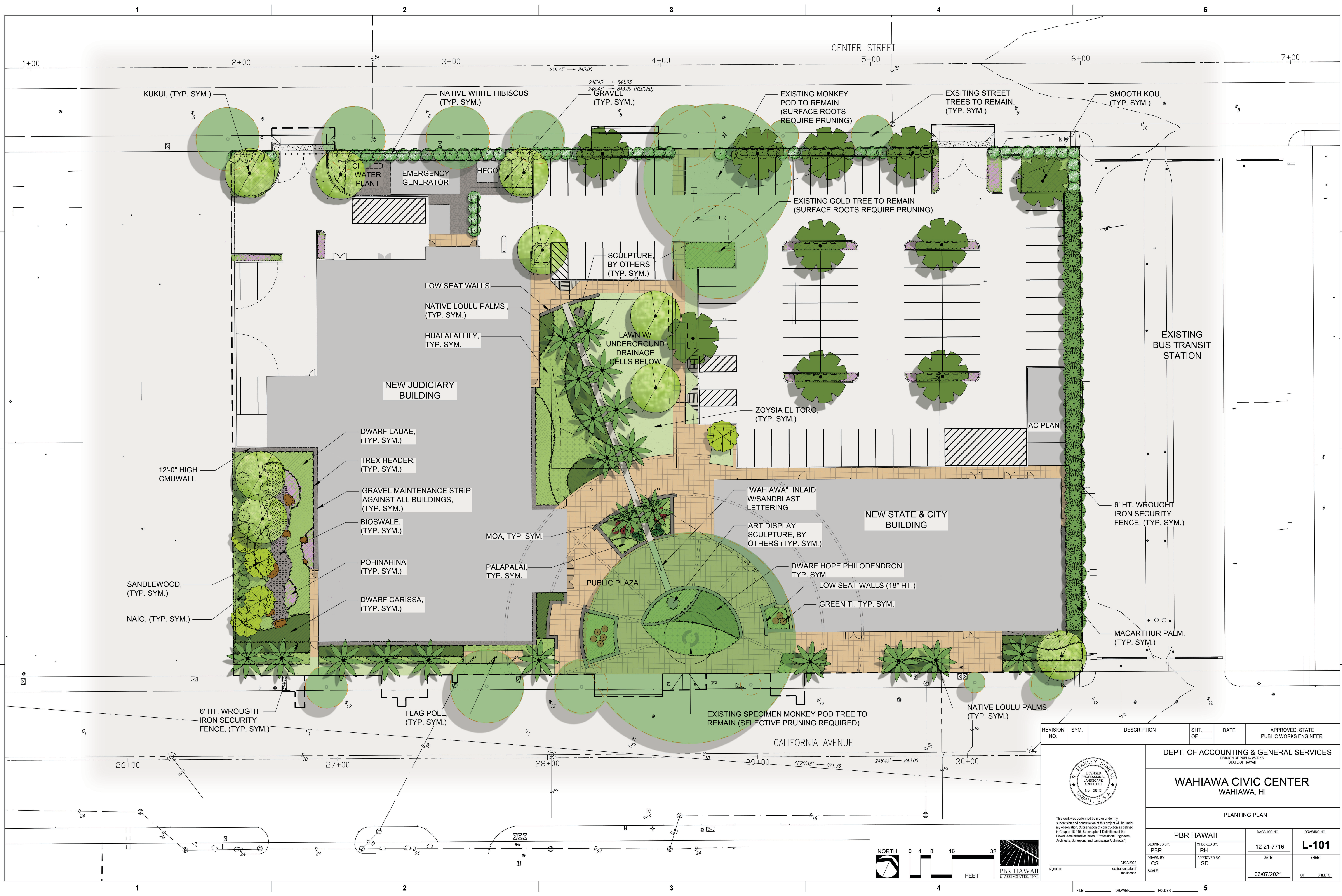
Olena



Dwarf Hau



Moa



REVISION NO.	SYM.	DESCRIPTION	SHT. OF	DATE	APPROVED: STATE PUBLIC WORKS ENGINEER

		DEPT. OF ACCOUNTING & GENERAL SERVICES <small>DIVISION OF PUBLIC WORKS STATE OF HAWAII</small>	
WAHIAWA CIVIC CENTER WAHIAWA, HI			
PLANTING PLAN			
PBR HAWAII		DASS JOB NO.	
DESIGNED BY: PBR	CHECKED BY: RH	12-21-7716	
DRAWN BY: CS	APPROVED BY: SD	DATE	
SCALE:		06/07/2021	
signature		OF SHEETS	

